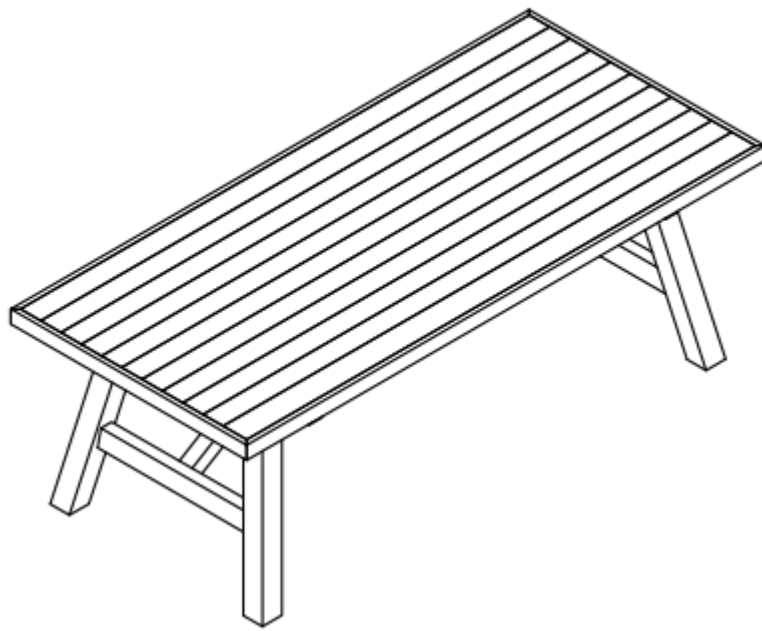
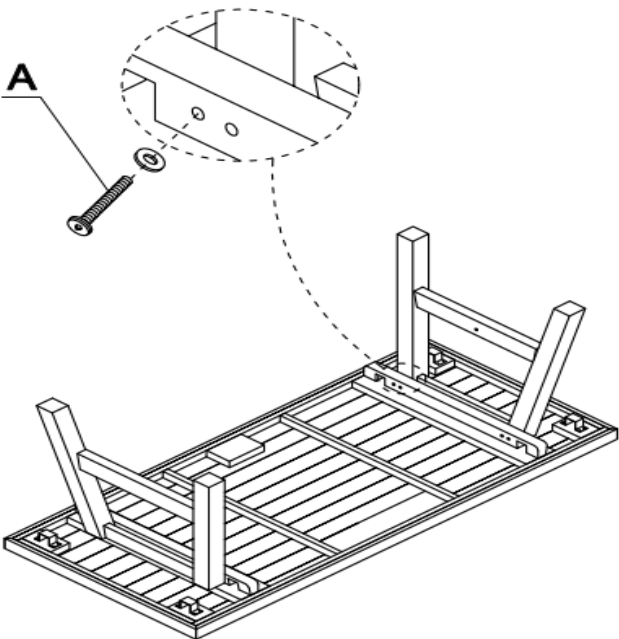
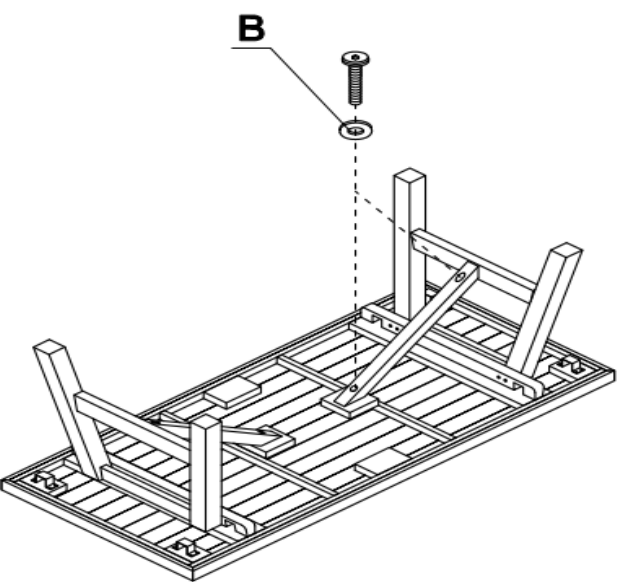
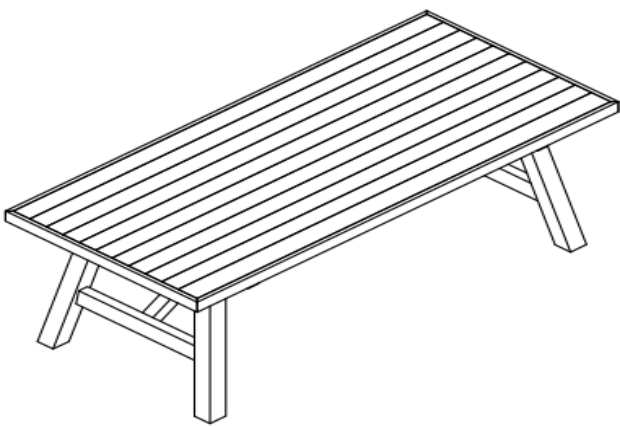





ROWICO.

VICKY DINING TABLE



ROWICO.

ASSEMBLY INSTRUCTIONS FOR VIC01									
STEP 1			STEP 2			PICTURE			
									
Parts List	A	 Bolt M8x60mm	8 Pcs	B	 Bolt M8x40mm	4 Pcs	C	 Allen key	1 Pc

ROWICO.

Maintenance before use:

Each piece is made from reclaimed and recycled solid pine. Harvested from old pine shipping pallets and crates, the wood shows the knots, nail holes and natural imperfections that make every piece of furniture subtly one of a kind. The unique yesteryear finish is re-created through a series of multiple steps of hand brushing and polishing each piece of furniture with high quality materials to create a genuine aged patina.

Each piece is bench-built following furniture construction methods that date back to the 1800's. Most distinguishable are the surface panels which are carefully pieced together in a jig-saw type manner called 'flotsam' or tongue & groove floating-panel system, whereby no glue is required between the surface joints. This method of construction re-creates an age old look, whilst allowing for timber settlement.

Please follow the simple care instructions listed below:

- Do not use silicone based polishes / cleaners at any time.
- Dust surfaces gently with a feather duster then wipe gently with a slightly damp cloth / chamois.
- Do not allow liquids to remain in contact with the surface for extended periods. We suggest using coasters.
- Do not place furniture in close proximity to heating outlets or direct sunlight.
- Do not allow solvents, abrasives or heated objects to come in contact with the surface.
- Always keep all assembly instructions in a safe place for such times as moving your furniture.
- In the event of a minor surface scratch or dent please apply a furniture touch-up pen to the affected area.

ROWICO.

Tip protection/Tippskydd



ENGLISH	SVENSKA	SUOMI	DEUTSCH
<p>Important information Read carefully. Keep this information for further reference.</p> <p>WARNING Serious or fatal crushing injuries can occur from furniture tip-over. To prevent this furniture from tipping over it must be permanently fixed to the wall. Fixing devices for the wall are not included since different wall materials require different types of fixing devices. Use fixing devices suitable for the walls in your home. For advice on suitable fixing systems, contact your local specialized dealer.</p>	<p>Viktig information Läs noga Spara informationen för framtida bruk</p> <p>VARNING Allvarliga eller livsfarliga klämskador kan ske om möbler tippas över. För att förhindra att den här möbeln tippas måste den fästas permanent vid väggen. Fästbeslag för väggen medföljer inte eftersom olika väggmaterial kräver olika typer av fästbeslag. Använd ett fästbeslag som passar för väggarna hemma hos dig. För råd om lämpliga fästbeslag, kontakta din fackhandlare.</p>	<p>Tärkeää tietoa Lue huolellisesti. Säästä mahdollista myöhempää tarvetta varten.</p> <p>VAROITUS Huonekalun kaatuminen voi aiheuttaa vakavia tai kuolemaan johtavia vammoja. Kaatumisen estämiseksi huonekalu tulee kiinnittää pysyvästi seinään. Pakkaus ei sisällä seinään kiinnittämistä varten tarvittavia ruuveja ja tulppia, koska erilaisia seinämateriaaleja varten tarvitaan erilaiset kiinnikkeet. Valitse kiinnikkeet kotisi seinämateriaalin mukaan. Apua oikeanlaisten kiinnikkeiden valintaan voit kysyä rautakaupasta.</p>	<p>Wichtige Information Sorgfältig lesen Diese Information aufbewahren</p> <p>ACHTUNG Wenn Möbelstücke umkippen, können ernste oder lebensgefährliche Verletzungen durch Einklemmen die Folge sein. Um zu verhindern, dass das Möbelstück umkippt, muss es fest an der Wand verankert werden. Beschläge für die Wandbefestigung sind nicht beige packt, da sie von der jeweiligen Wandbeschaffenheit abhängig sind. Befestigungsbeschläge benutzen, die für die heimischen Wände geeignet sind. Bei diesbezüglichen Fragen den örtlichen Fachhandel zu Rate ziehen.</p>



For more information visit: WWW.ROWICO.COM