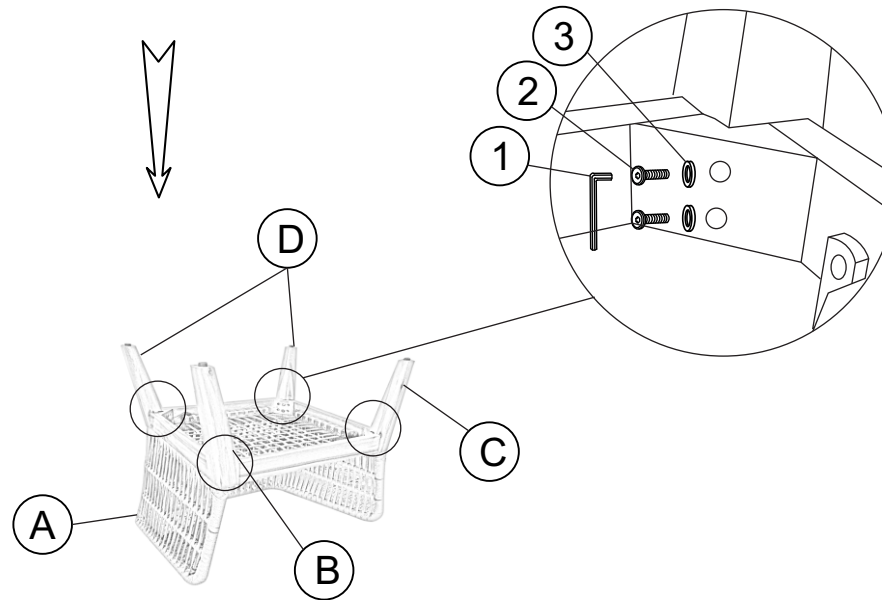


ASSEMBLY INSTRUCTION

STEP 1



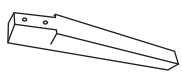
(A) x 1PC



(B) x 1PC



(C) x 1PC



(D) x 2PCS



(1) M4x60 (mm): 1PC



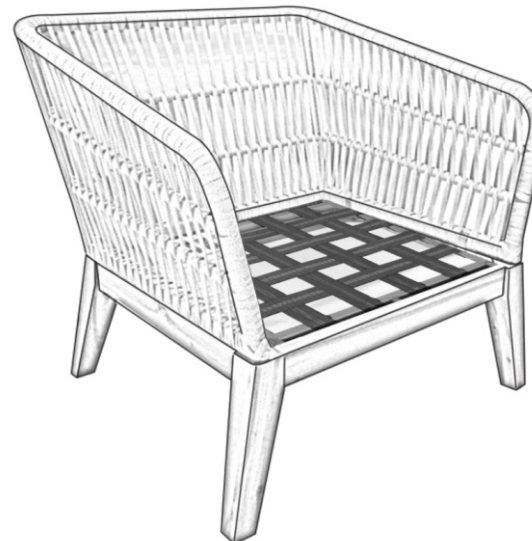
(2) M6x50(mm): 8PCS



(3) $\varnothing 6/16$ (mm): 8PCS

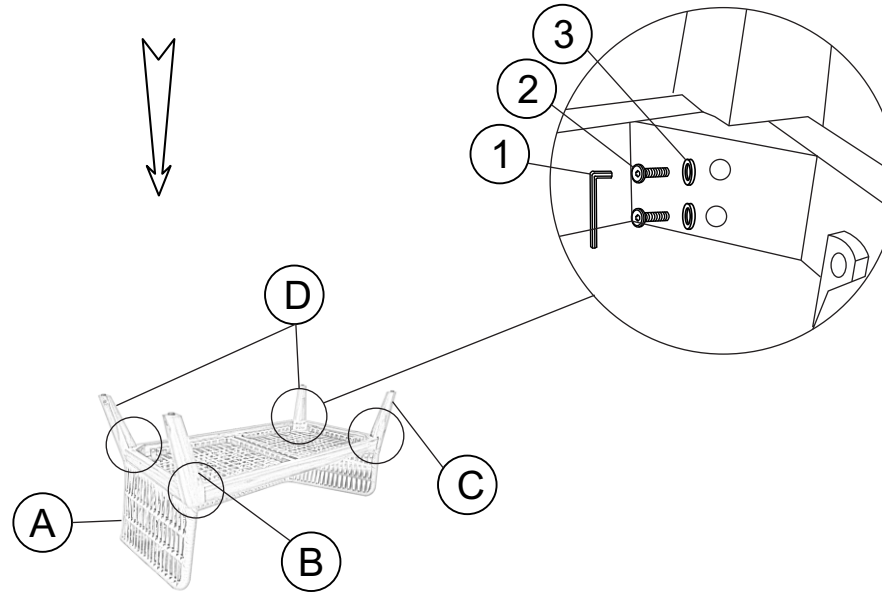


STEP 2



ASSEMBLY INSTRUCTION

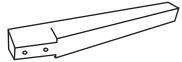
STEP 1



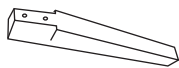
(A) x 1PC



(B) x 1PC



(C) x 1PC



(D) x 2PCS



STEP 2

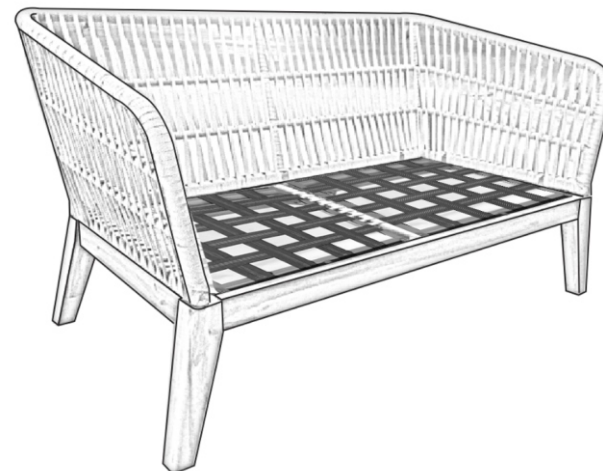
(1) M4x60 (mm): 1PC



(2) M6x50(mm): 8PCS



(3) $\varnothing 6/16$ (mm): 8PCS



ASSEMBLY INSTRUCTION

STEP 1



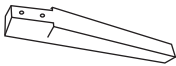
(A) x 1PC



(B) x 1PC



(C) x 1PC



(D) x 2PCS



(E) x 1PC



(F) x 1PC



(1) M4x60 (mm): 1PC



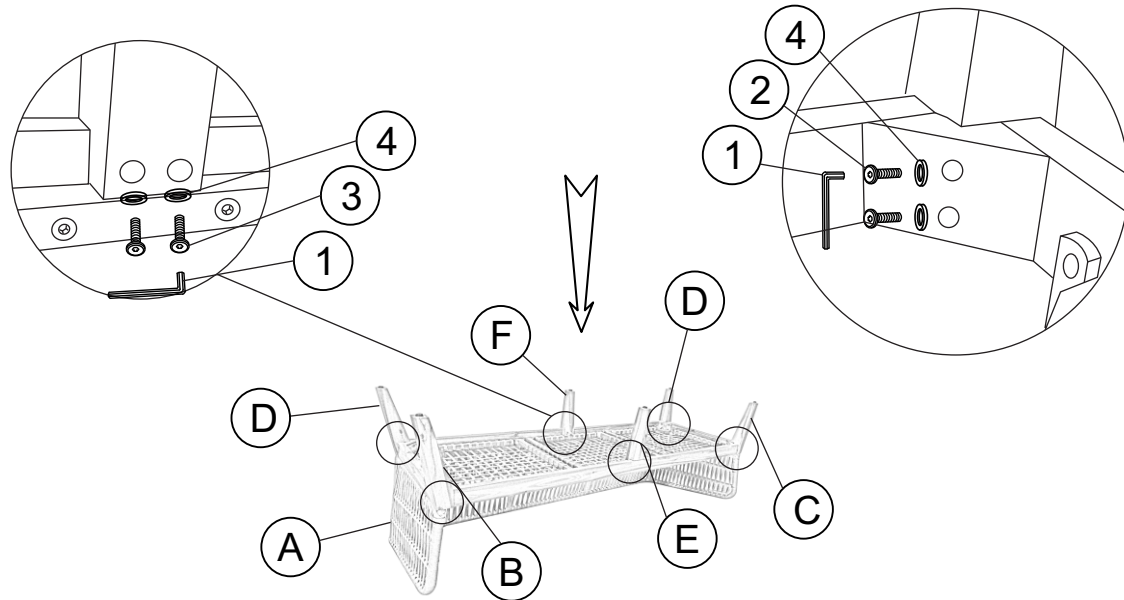
(2) M6x50(mm): 8PCS



(3) M6x40(mm): 4PCS



(4) Ø6/16(mm): 12PCS



STEP 2



ASSEMBLY INSTRUCTION

STEP 1



(A) x 1PC



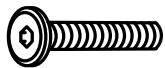
(B) x 4PCS



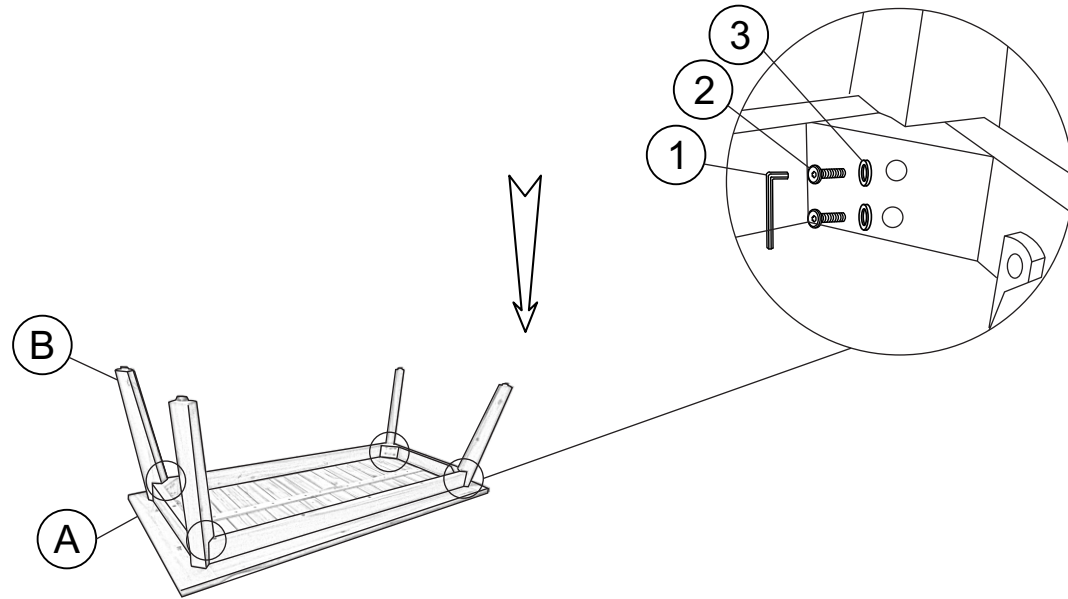
(1) M4x60 (mm): 1PC



(2) M6x50(mm): 8PCS



(3) Ø6/16(mm): 8PCS



STEP 2

