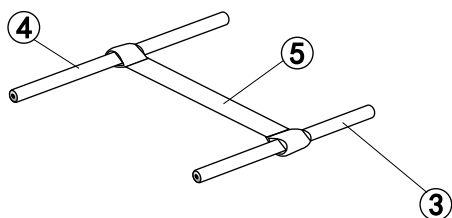
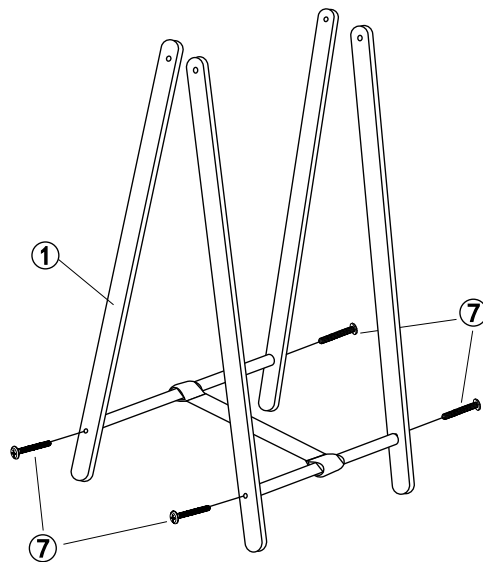


# INSTRUCTION

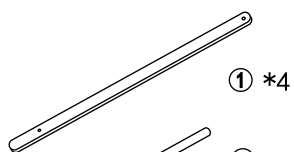
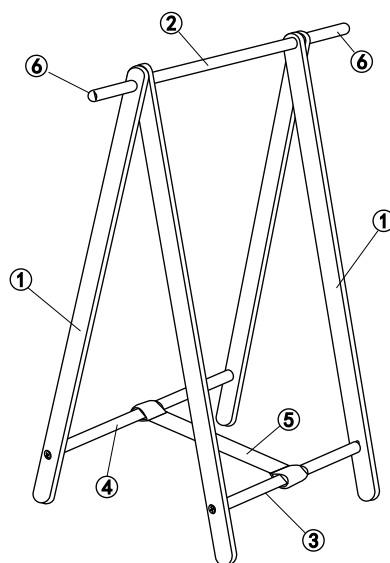
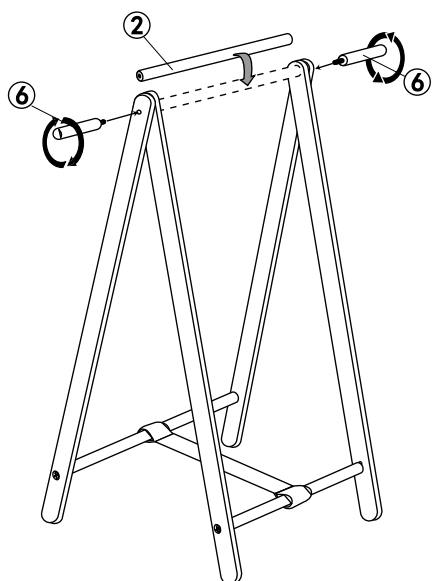
1.



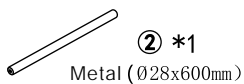
2.



3.

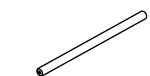


① \*4



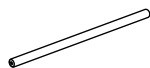
② \*1

Metal (Ø28x600mm)



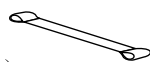
③ \*1

Wood (Ø28x600mm)



④ \*1

(Ø28x640mm)



⑤ \*1



⑥ \*2



⑦ \*4