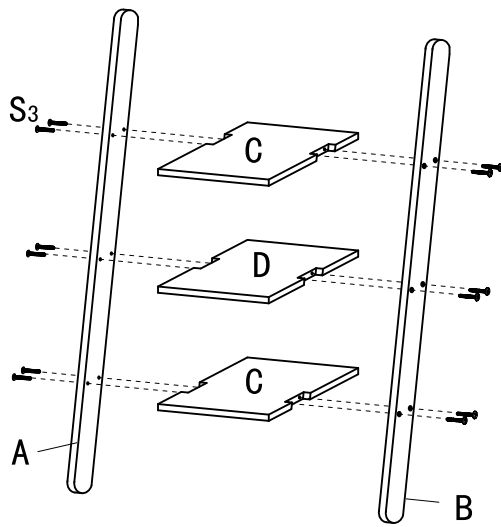
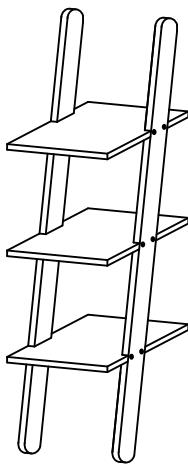
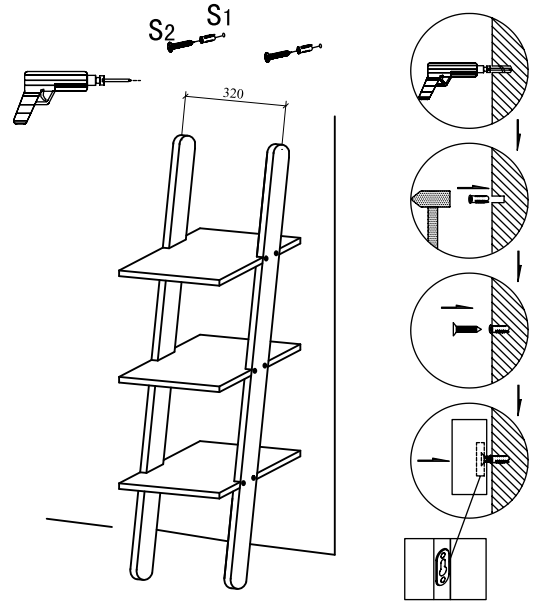


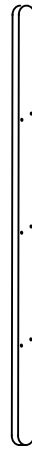






INSTRUCTION

1.



2.



			Cx2
			Dx1
			S1x2
			S2x2
			S3x12
Ax1	Bx1		