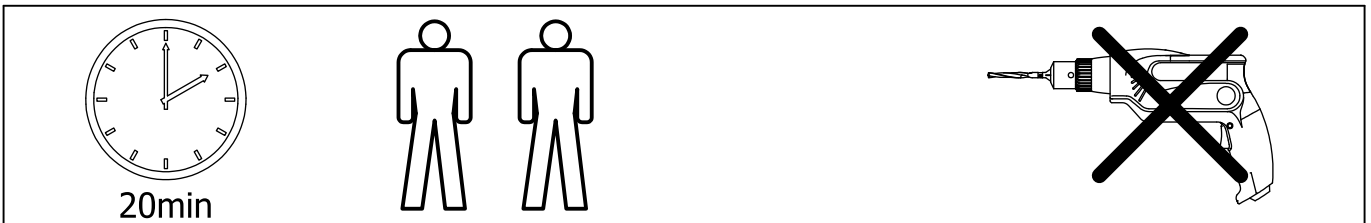
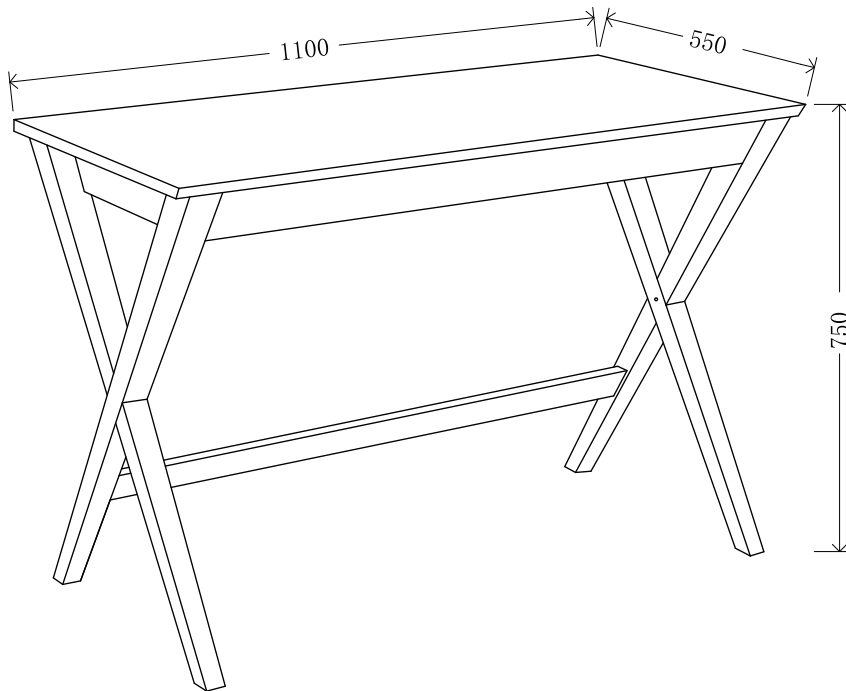
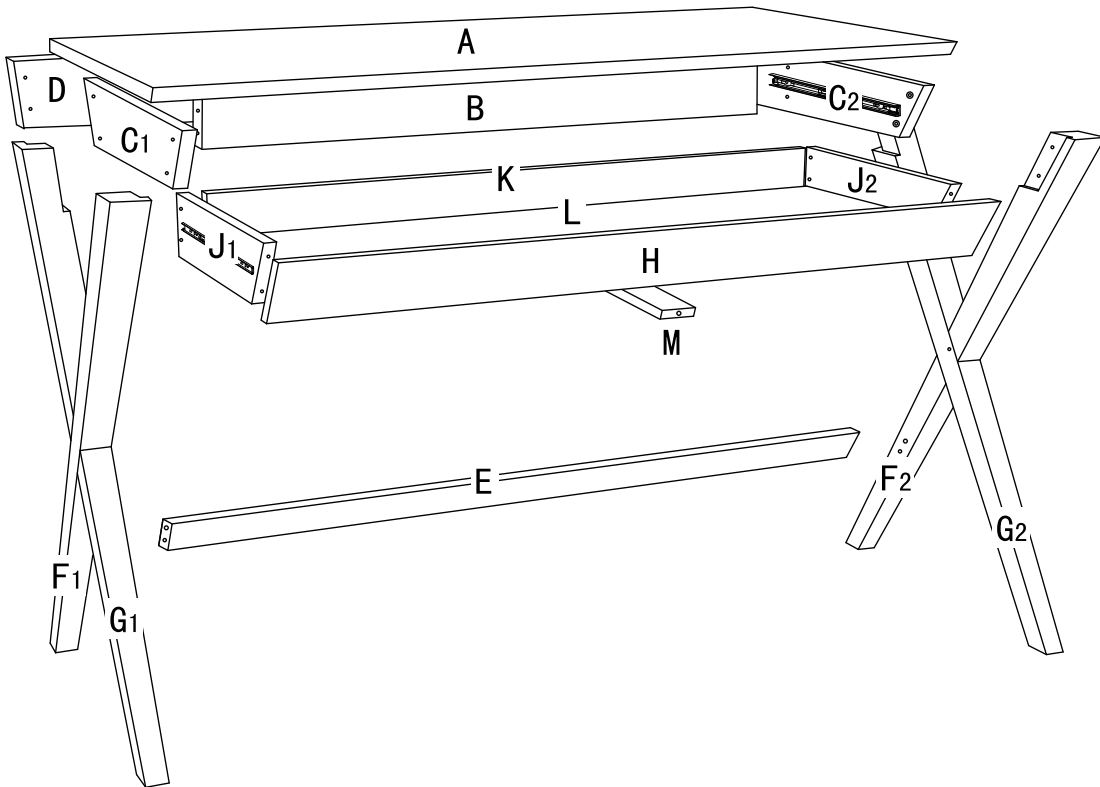


# INSTRUCTION

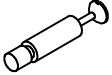



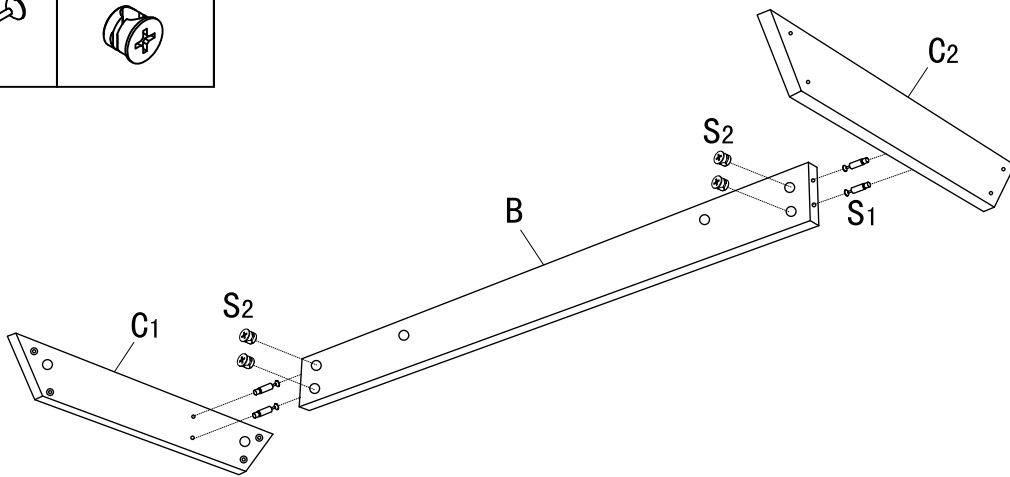
<p>S1x10</p>	<p>S2x10</p>	<p>S3x8</p> <p>8x30mm</p>	<p>S4x2</p>		<p>S5x8</p> <p>3x12mm</p>
<p>S6x14</p> <p>6x30mm</p>	<p>S7x2</p>	<p>S8x4</p>	<p>S9x4</p>	<p>S10x2</p> <p>6x30mm</p>	<p>S11x5</p> <p>4x30mm</p>
<p>S12x1</p>					

PARTS			PARTS		
ITEM	QTY	SIZE	ITEM	QTY	SIZE
A	1	1100X554X20 (mm)	G1	1	903X55X50 (mm)
B	1	944X80X18 (mm)	G2	1	903X55X50 (mm)
C1	1	500X80X18 (mm)	H	1	956X106X18 (mm)
C2	1	500X80X18 (mm)	J1	1	350X75X15 (mm)
D	1	1020X106X15 (mm)	J2	1	350X75X15 (mm)
E	1	976X55X18 (mm)	K	1	888X75X15 (mm)
F1	1	903X55X50 (mm)	L	1	898X305X5 (mm)
F2	1	903X55X50 (mm)	M	1	290X39X15 (mm)

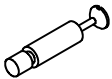




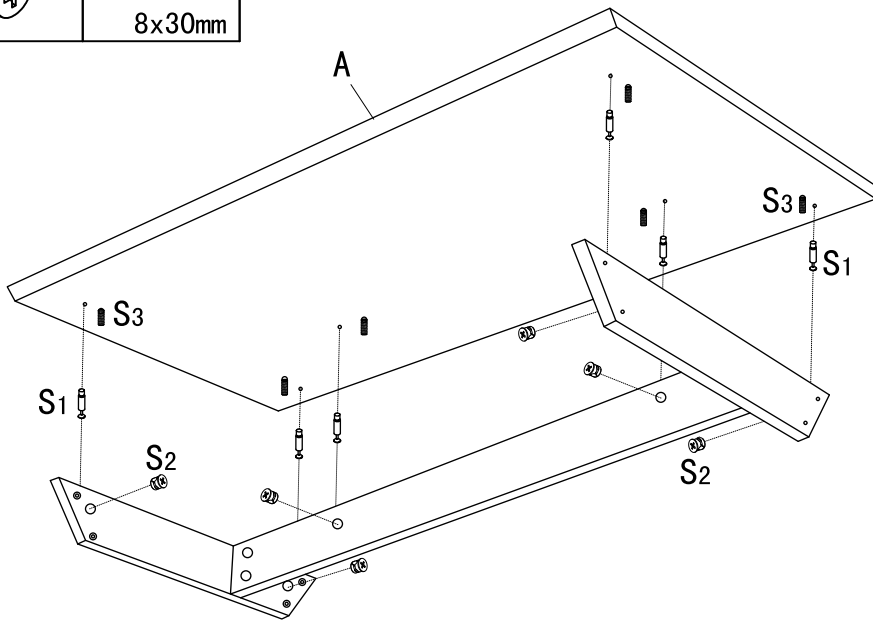
1

S1x4 	S2x4 
---	---




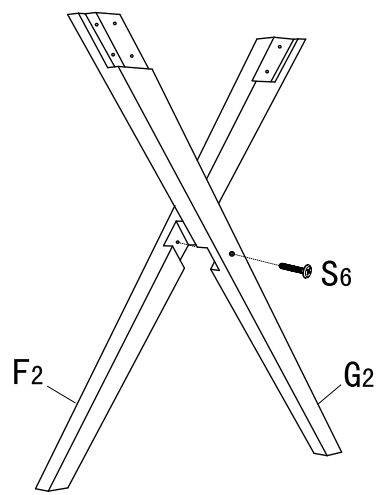
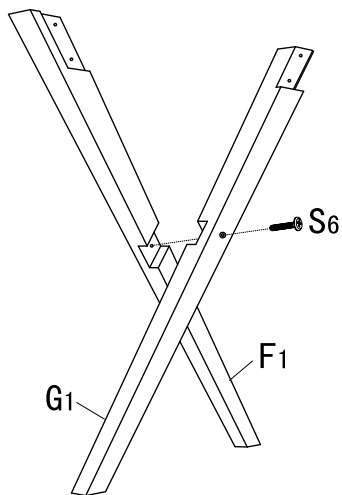
2

S1x6 	S2x6 	S3x6  8x30mm
---	---	---







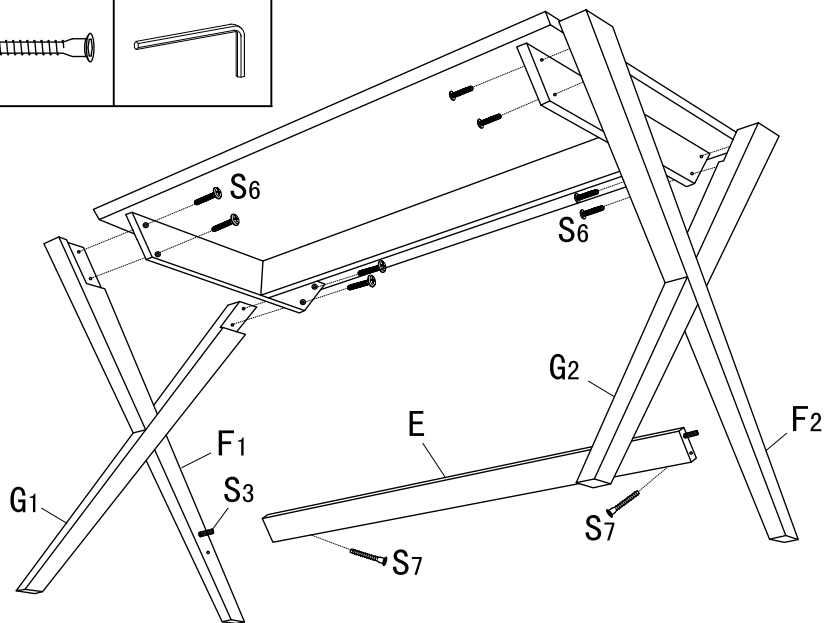
3

S6x2  6x30mm
---

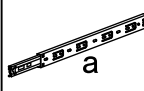



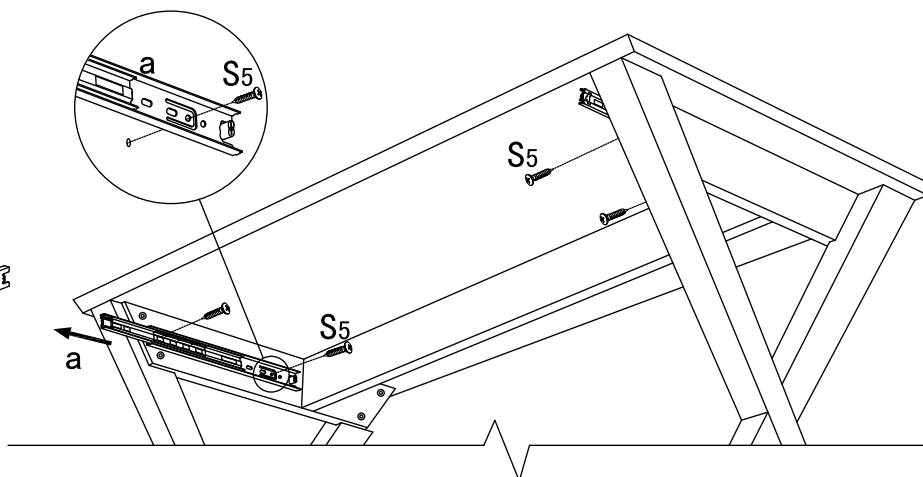
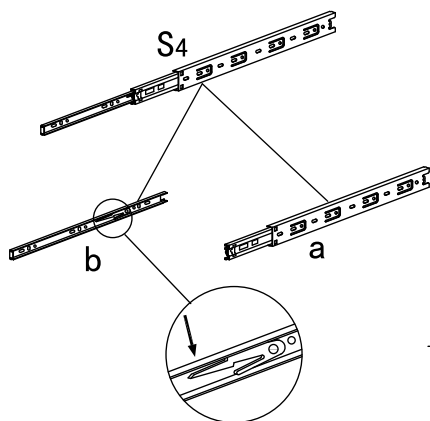
4

S3x2  8x30mm	S6x8  6x30mm	S7x2 	S12x1 
---	---	---	--





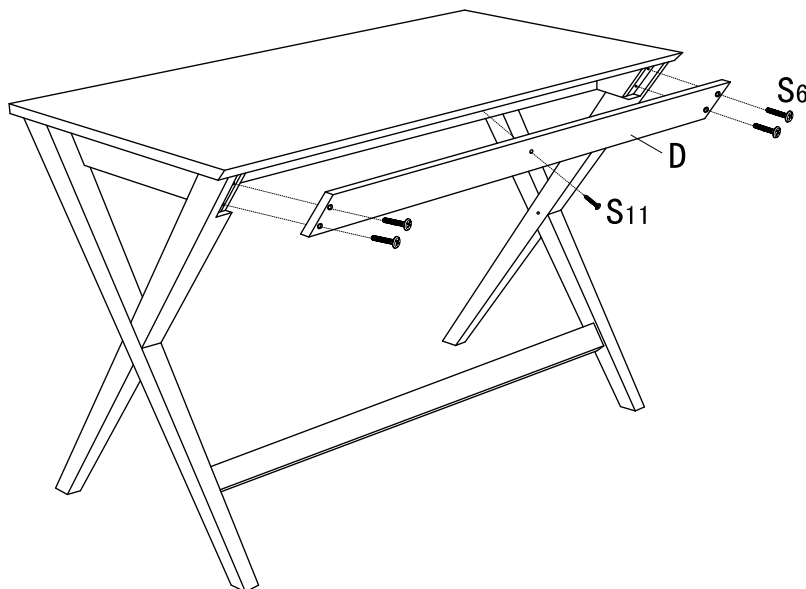
5

S4x2  a	S5x4  3x12mm
--	---

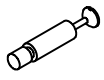



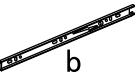



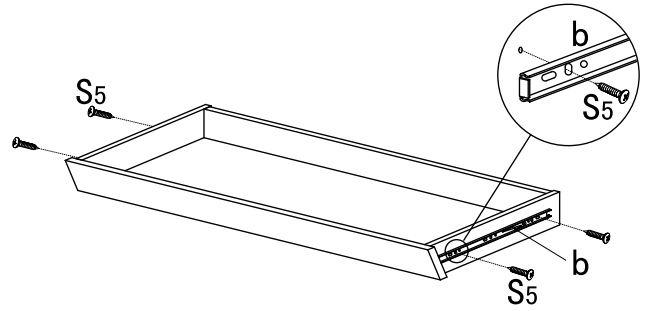
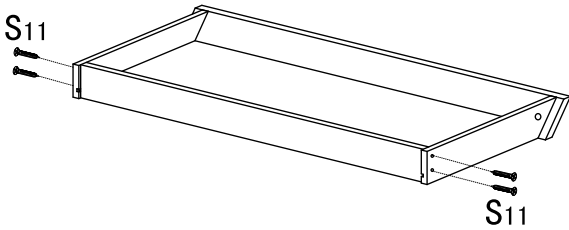
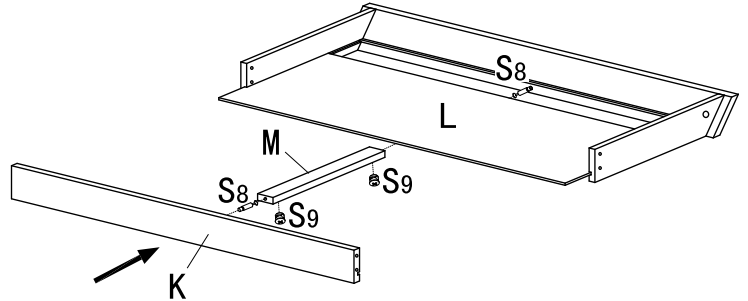
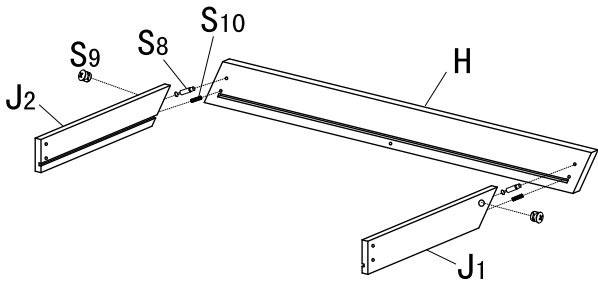
6

S6x4  6x30mm	S11x1  4x30mm
---	--



7

<p>S8x4</p> 	<p>S9x4</p> 	<p>S10x2</p> <p>6x30mm</p> 	<p>S11x4</p> <p>4x40mm</p> 	<p>S4x2</p> <p>b</p> 	<p>S5x4</p> <p>3x12mm</p> 
---	---	--	--	--	--



8

