

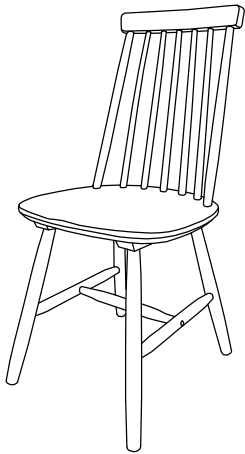
# ASSEMBLY INSTRUCTION

## MODEL:9009-1DC

Please read instructions carefully, remove all wrapping material, staples and straps from carton. See hardware and furniture parts list. For guidance. Be sure you have all wooden furniture parts on a clean and soft surface to prevent from being scratched. Follow the figure to start assembling.

**CAUTIONS:**

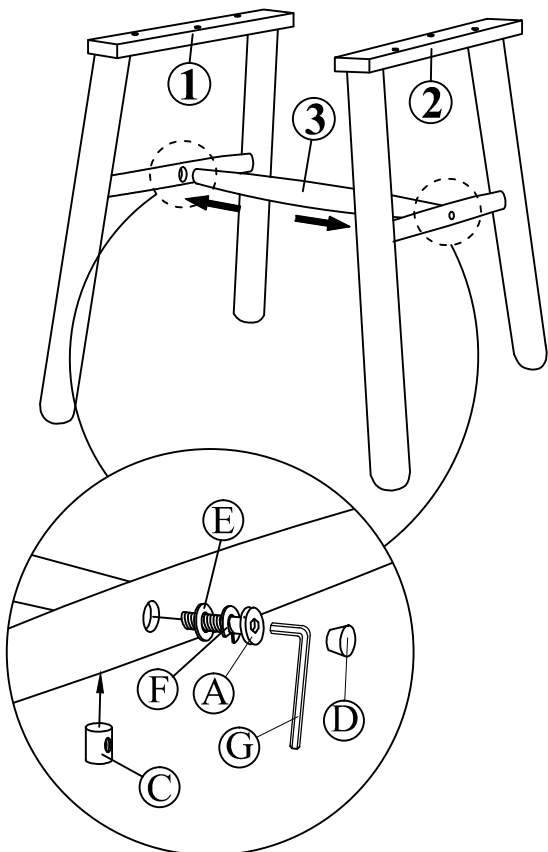
1. Do not FULLY -TIGHTEN the nut or bolt until all nut or nut bolt is ready to assembled.
2. Do not OVER- TIGHTEN the nut or nut bolt to avoid causing damages to the thread.
3. Keep all hardware part out of reach of children.



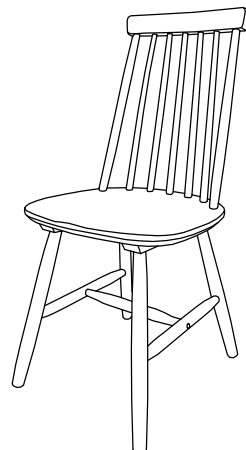
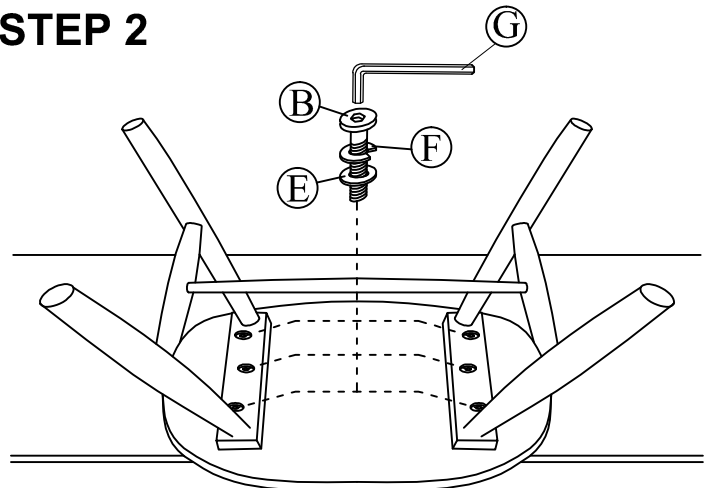
PART LIST			
NO	DESCRIPTION		QTY
①	SIDE LEG (Right)		1
②	SIDE LEG (Left)		1
③	CENTER SUPPORT		1
④	CHAIR BACK		1

HARDWARE LIST			
NO		DESCRIPTION	QTY
A		JCBC M6*50MM	2
B		JCBC M6*30MM	6
C		BARREL NUTS	2
D		WOOD BUTTON	2
E		FLAT WASHER	8
F		SPRING WASHER	8
G		ALLEN KEY M4	1

### STEP 1



### STEP 2



**COMPLETE ASSEMBLY**