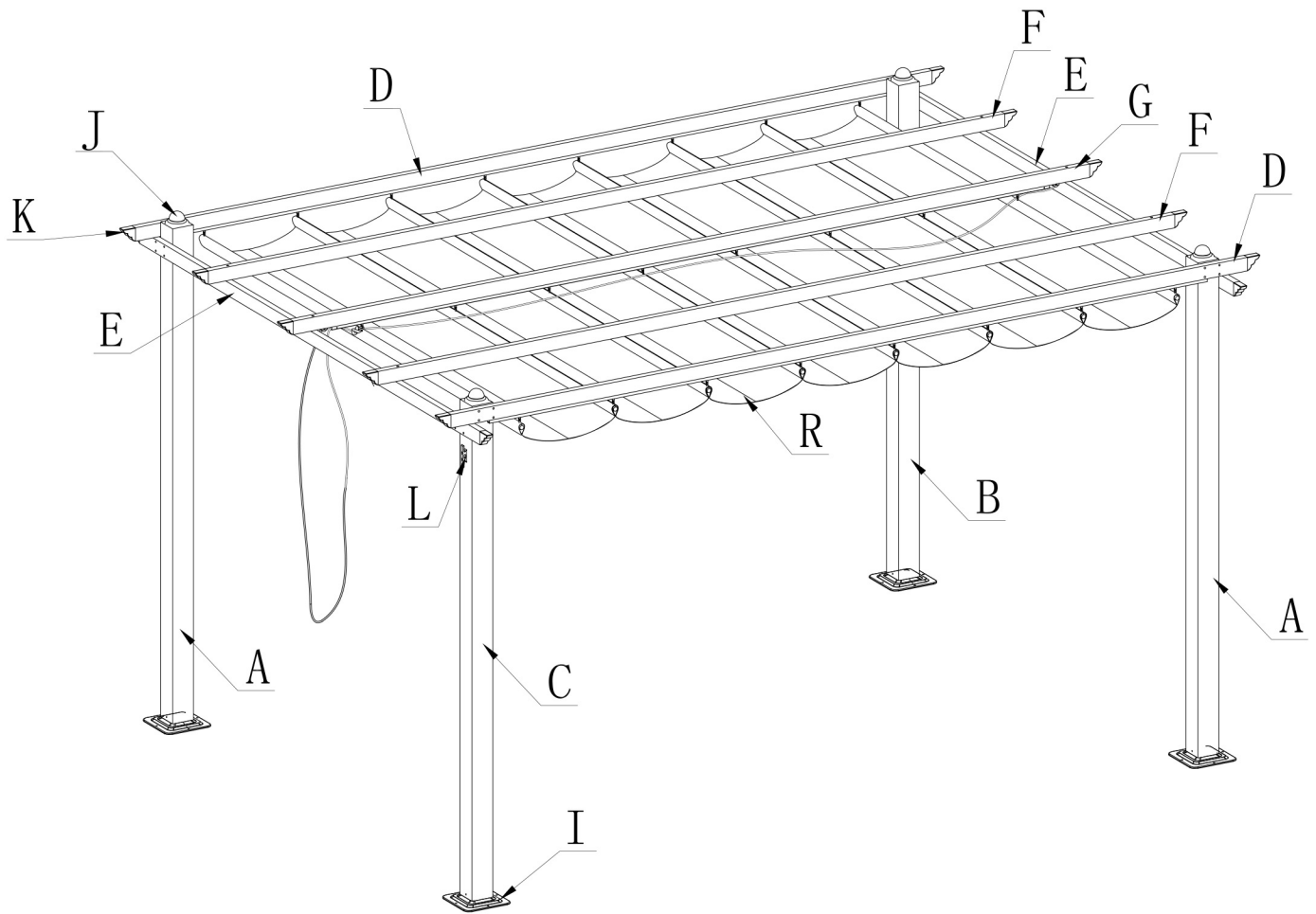
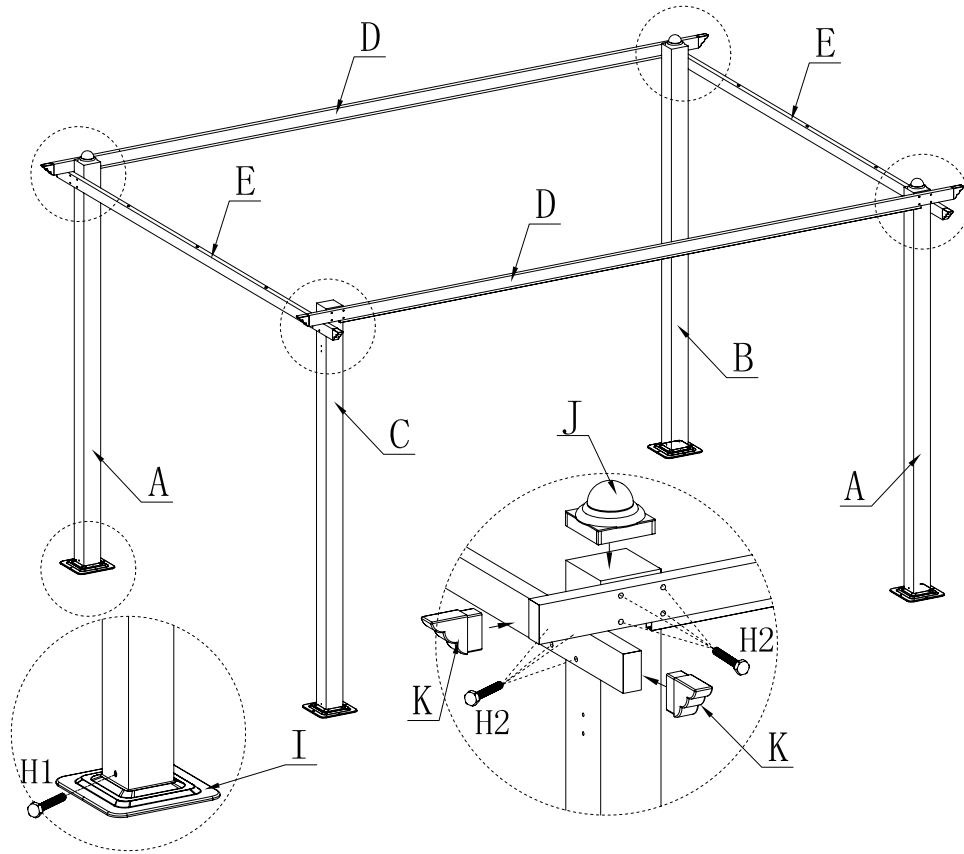


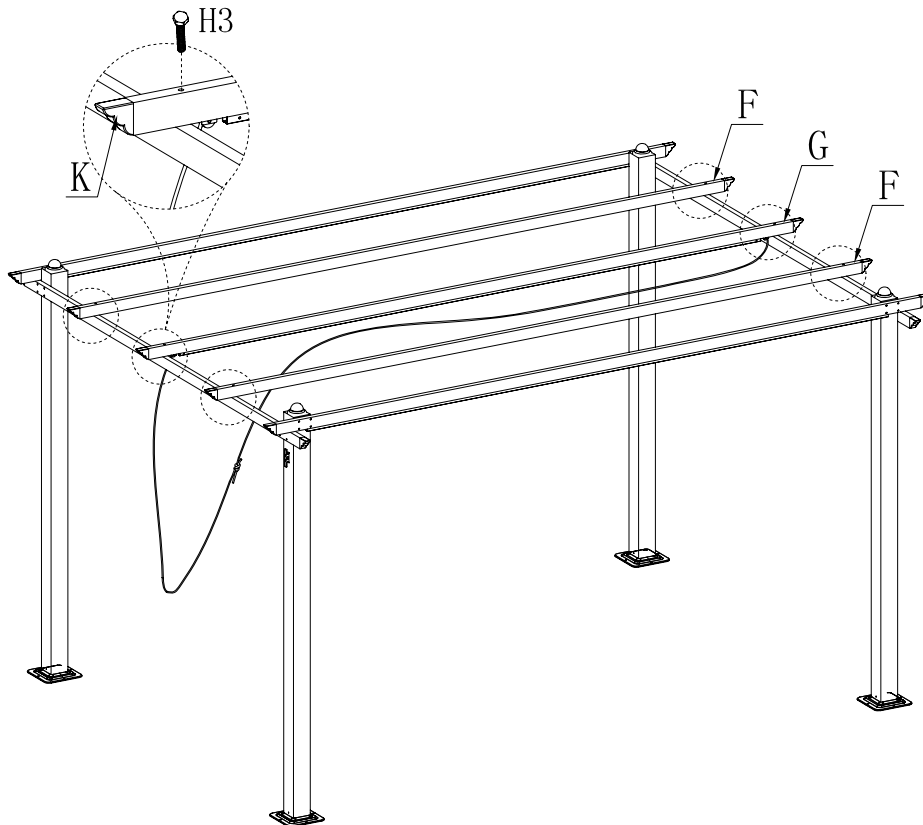
A		2			
B		1			
C		1			
D		2			
E		2			
F		2			
G		1			
R		1			
I		4	J		4
K		14	L		1
H		2	H <sub>1</sub>		8
H <sub>2</sub>		32	H <sub>3</sub>		6
H <sub>4</sub>		1	N		32
M		2	P		6
O		12	Q		1



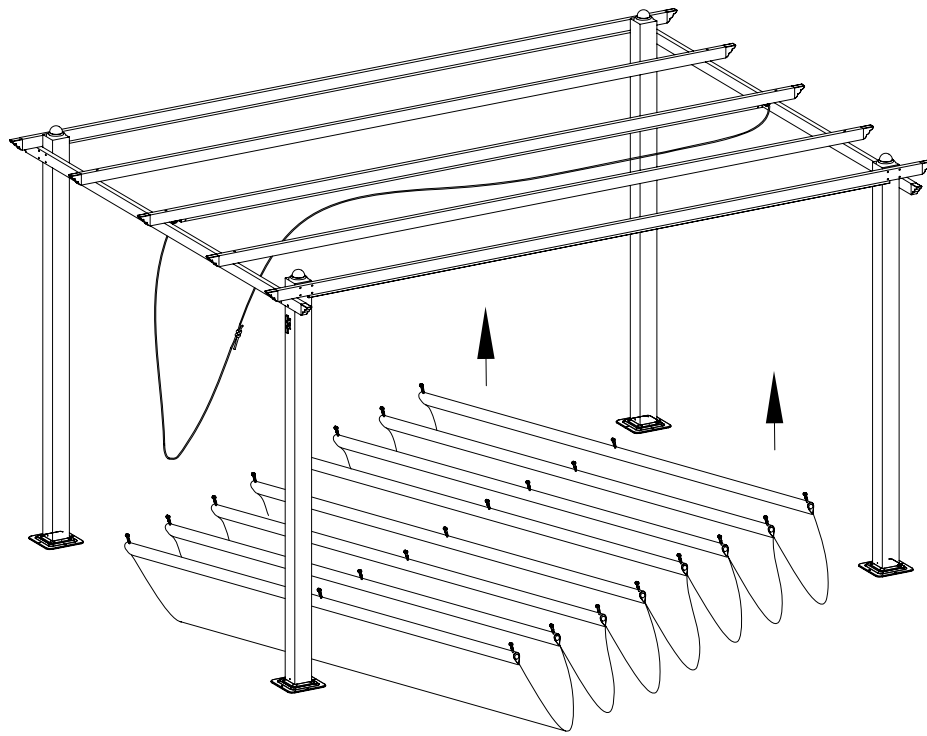
step1



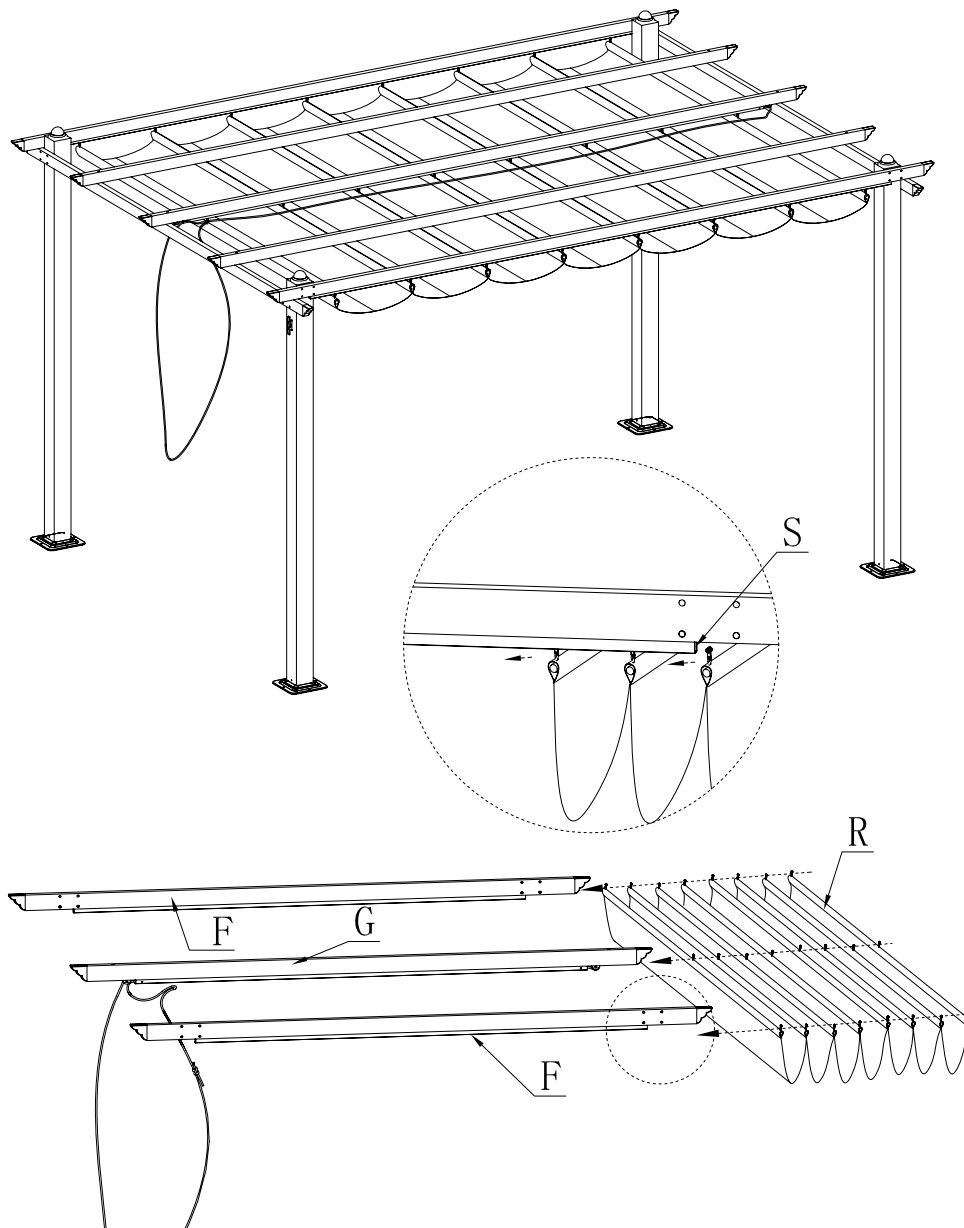
step2



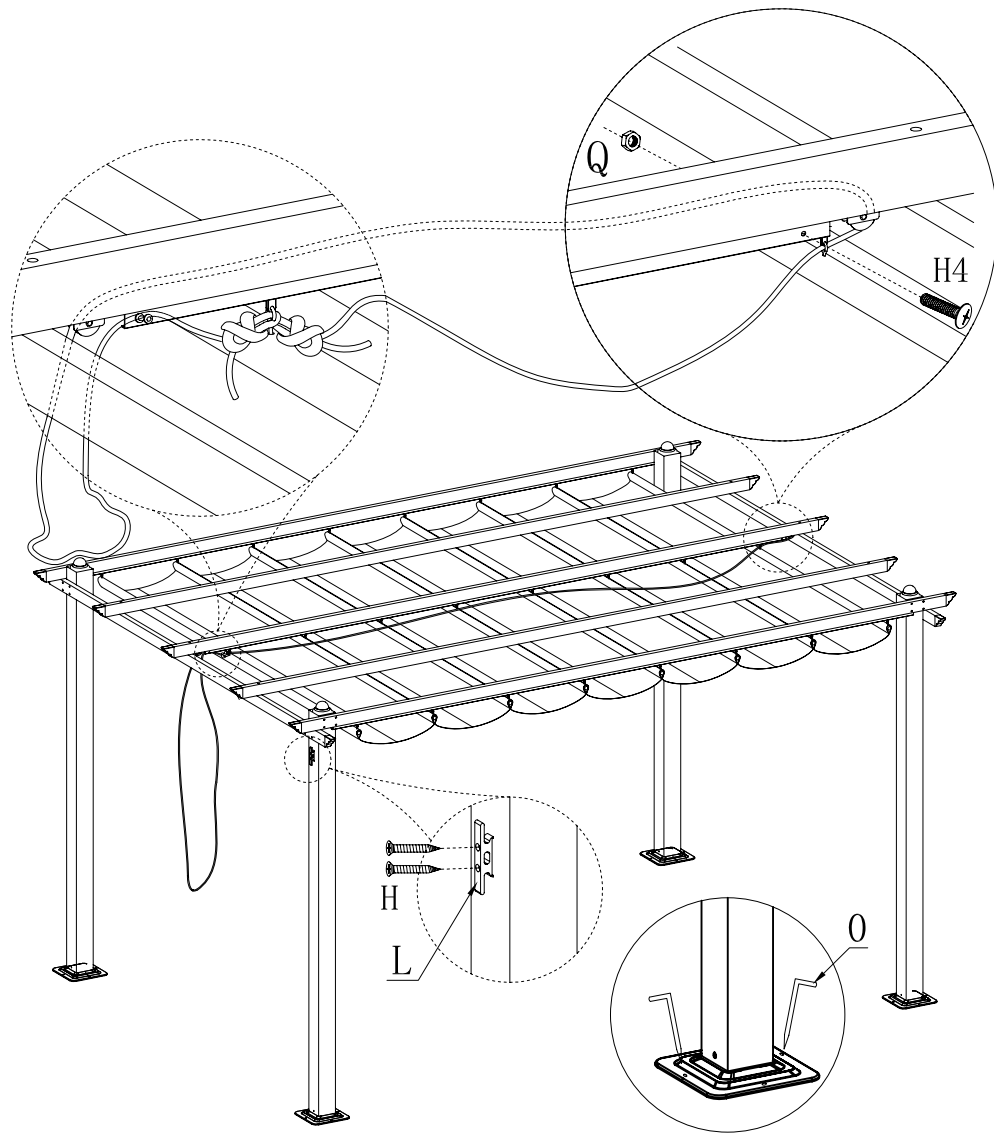
step3



step4



step5



step6

