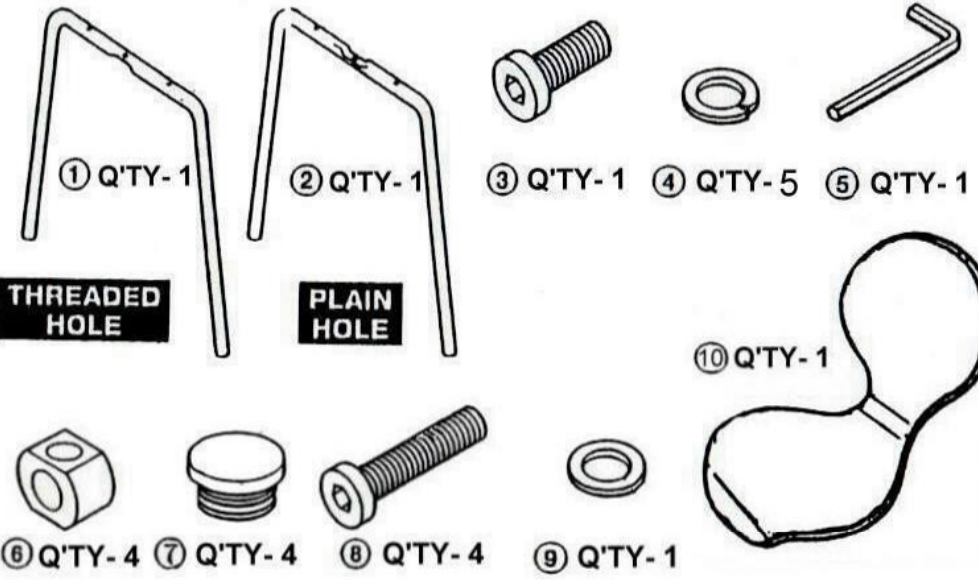
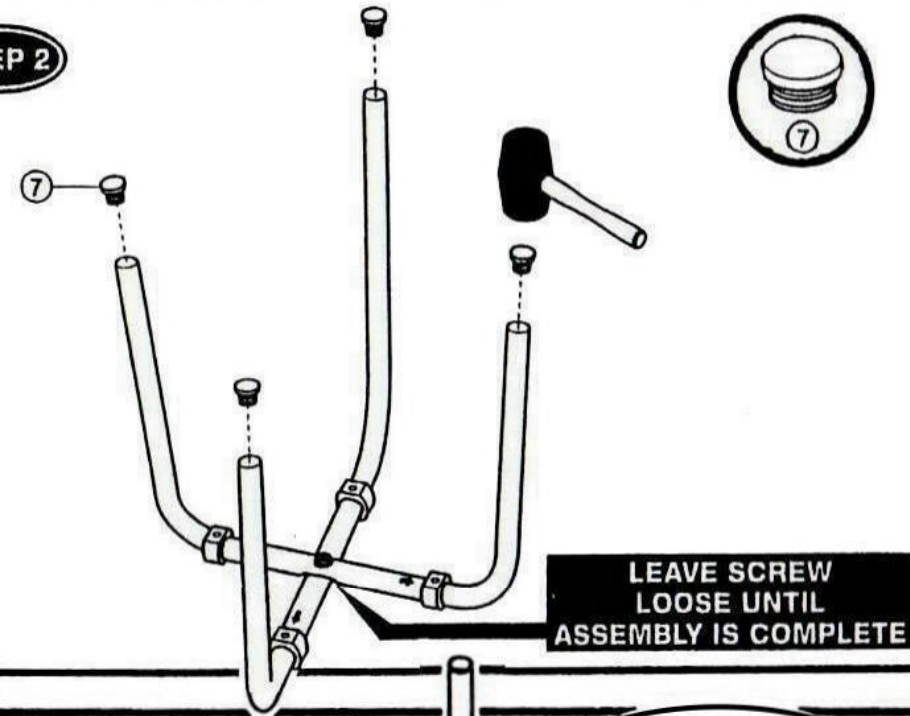


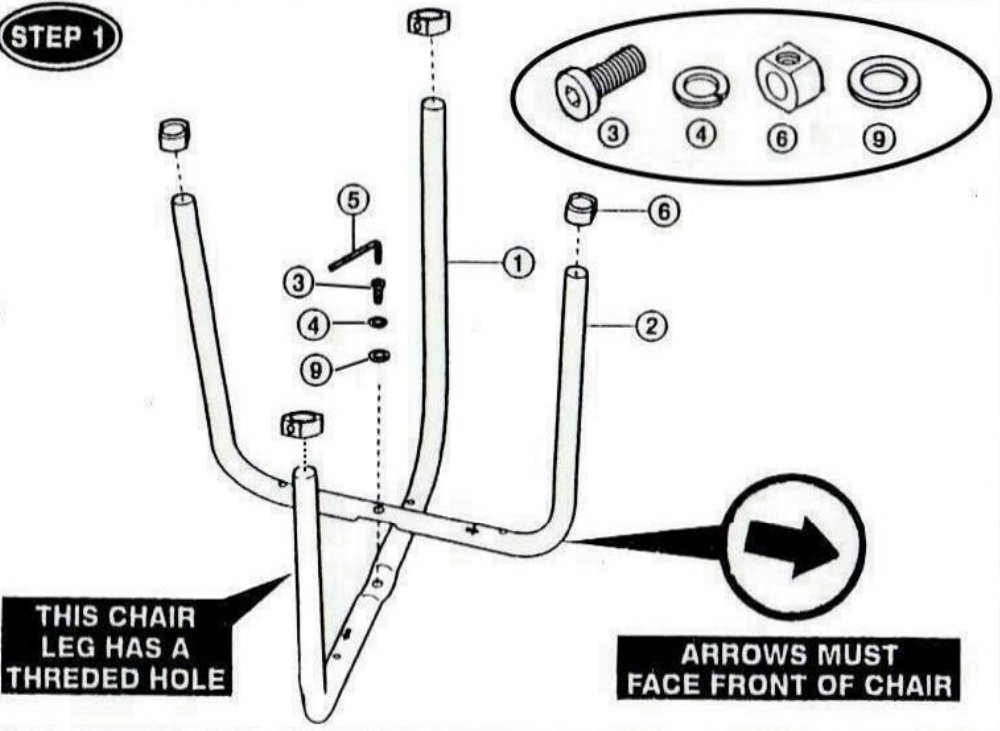
PARTS & FIXINGS



STEP 2



STEP 1



STEP 3

