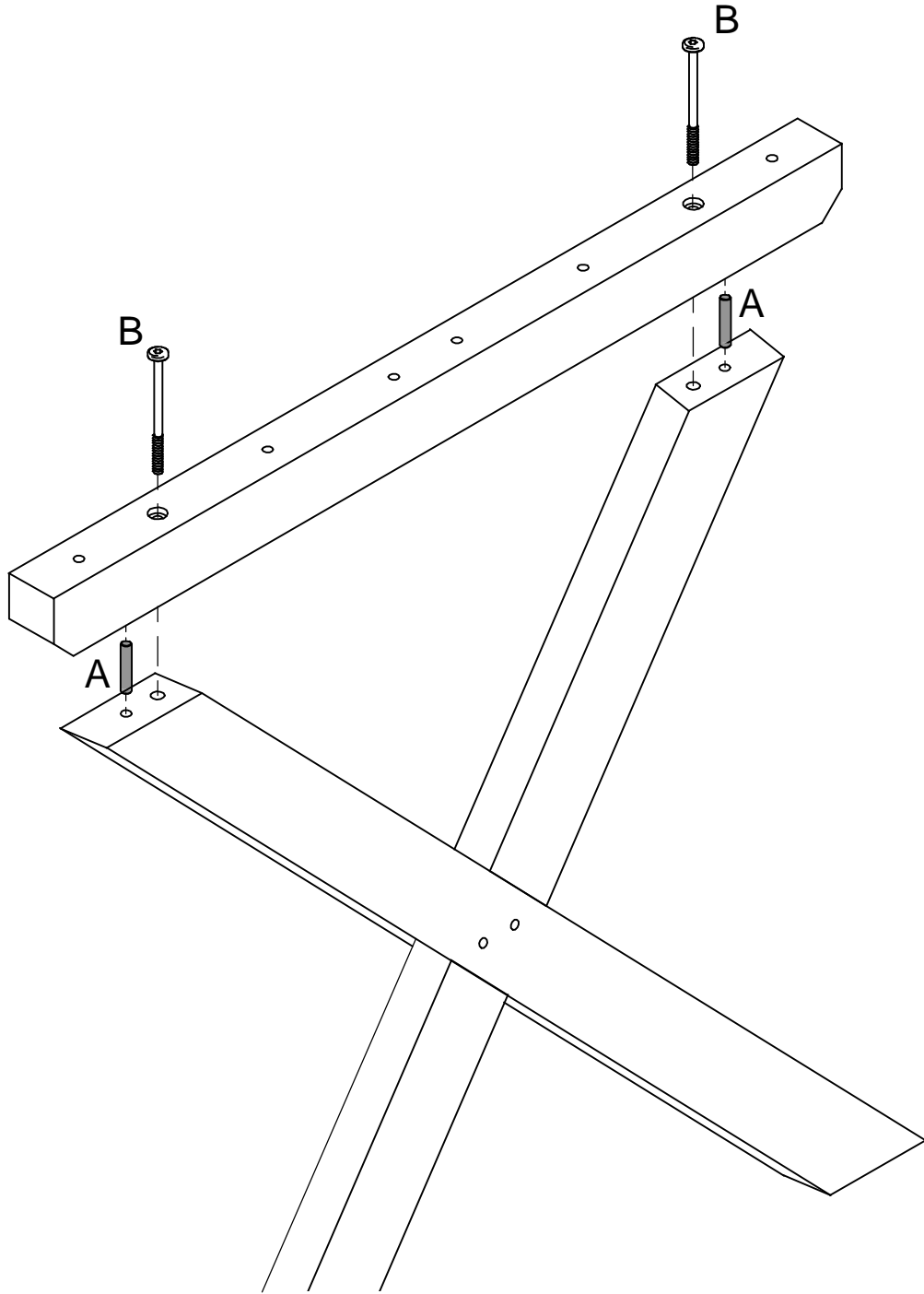
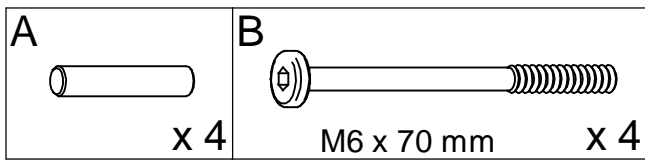


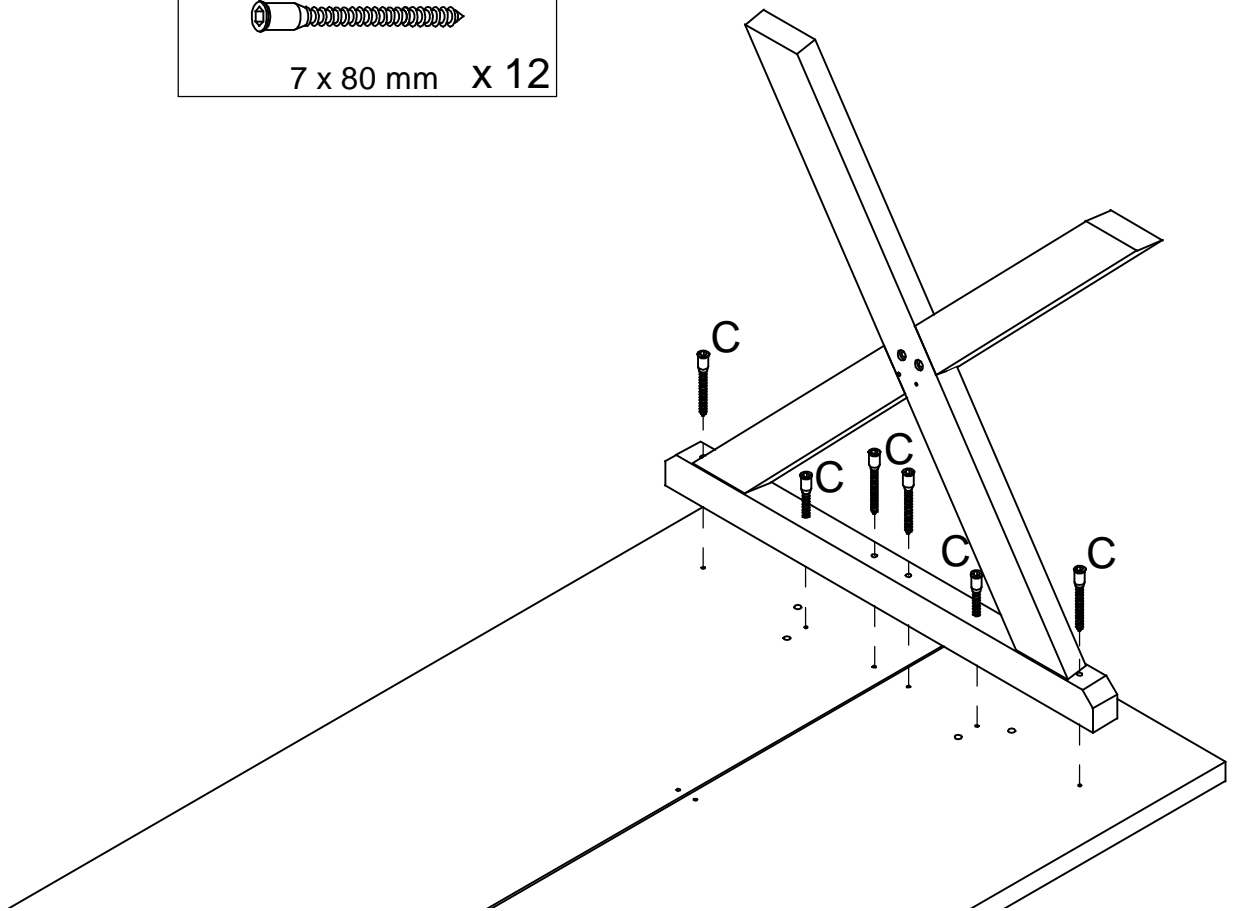
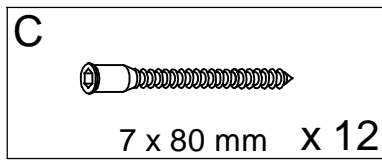
1



x2

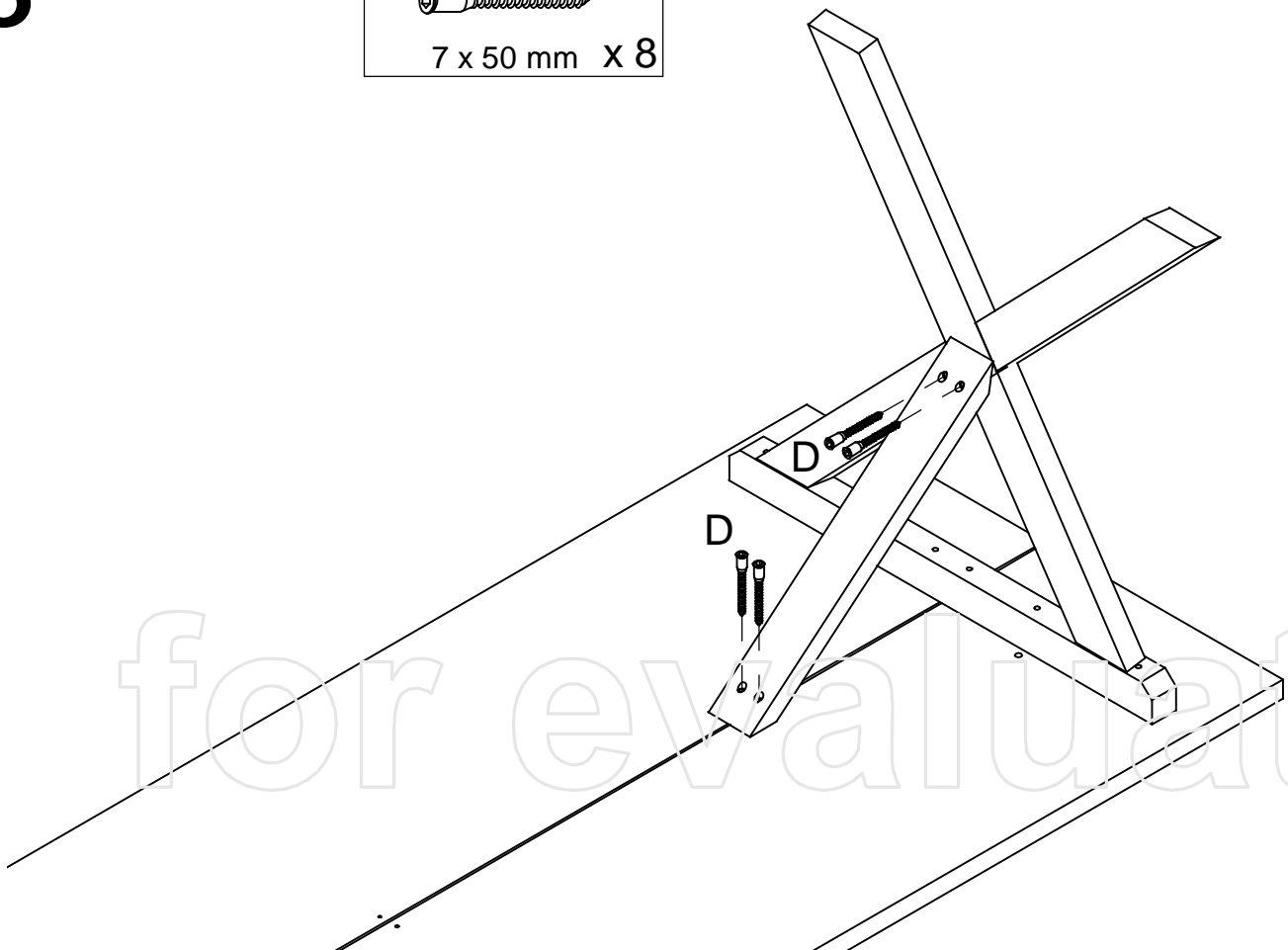
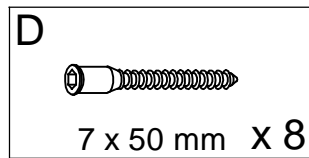
for evaluation only

2



x2

3



x2

for evaluation