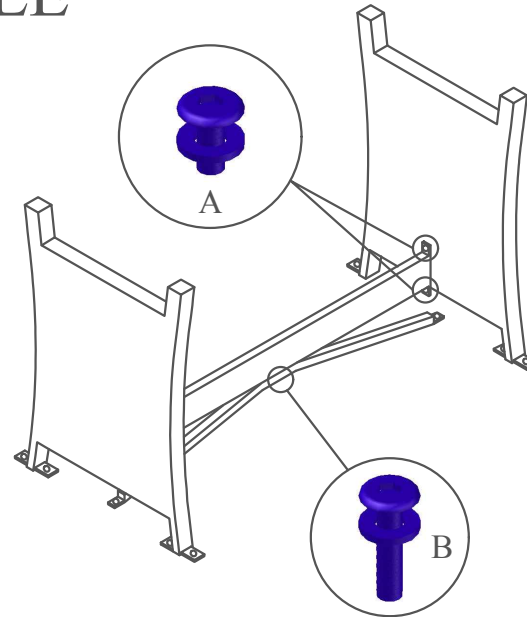


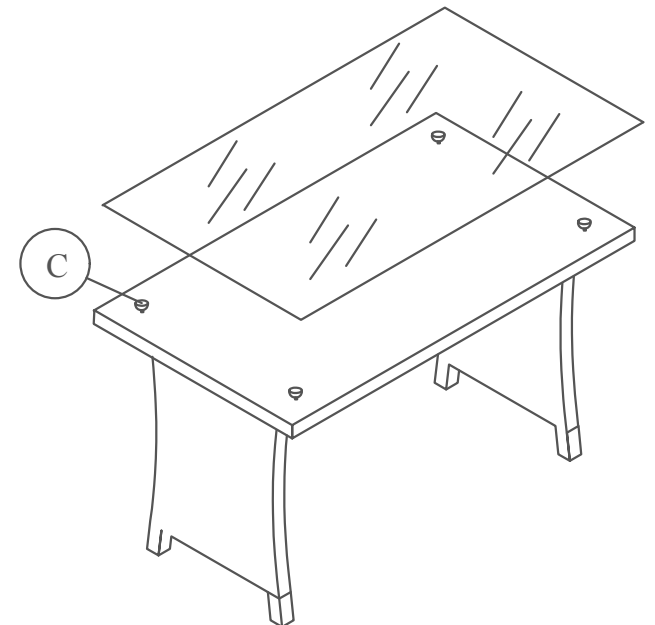
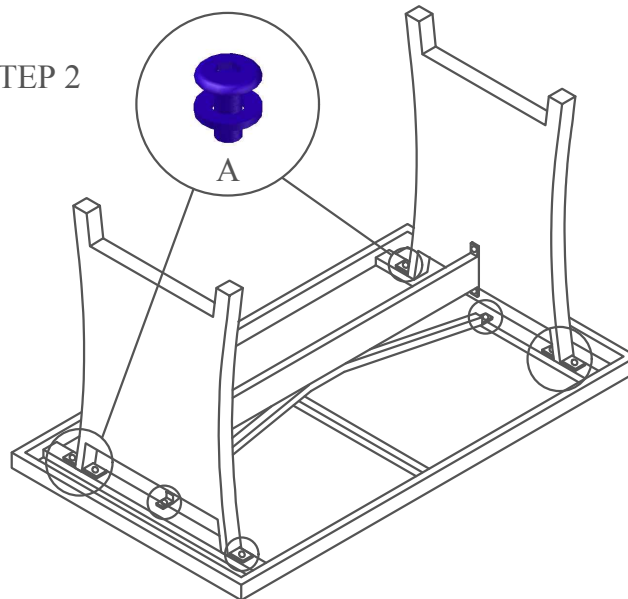
ASSEMBLY INSTRUCTIONS







Item : TABLE

STEP 1



STEP 2



HARDWARE LIST		
A		14 PCS
	BOLT M6x25	
B		01 PCS
	BOLT M6x40	
		01 PCS
	HEXAGON KEY	
		15 PCS
	FLAT WASHER	
C		04 PCS
	PLASTIC CUP	
		01 PCS