
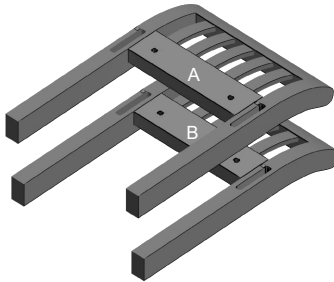



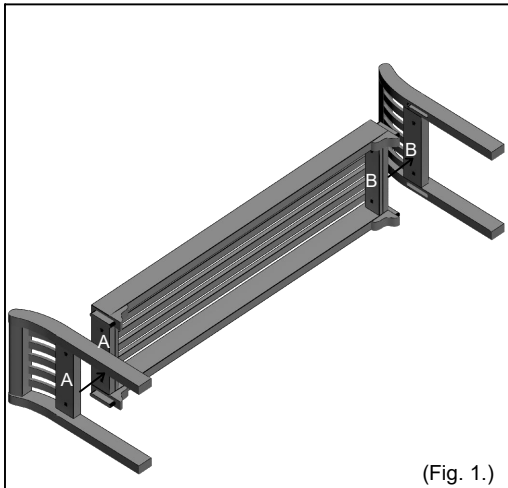


ASSEMBLY INSTRUCTION FOR BENCH

PARTS INCLUDED			
Bench Top 1 pc. 	Legs 2 pcs. 	 Washers 4+2 pcs.	 Spanner 1 pc.
 Bolts 4+2 Pcs.			



Pre-assembly:

- Please read all instructions carefully before beginning assembling.
- It is recommended that assembly is done on a soft surface such as carpet to avoid any damage.
- We recommend adult assembly by two people for your safety.

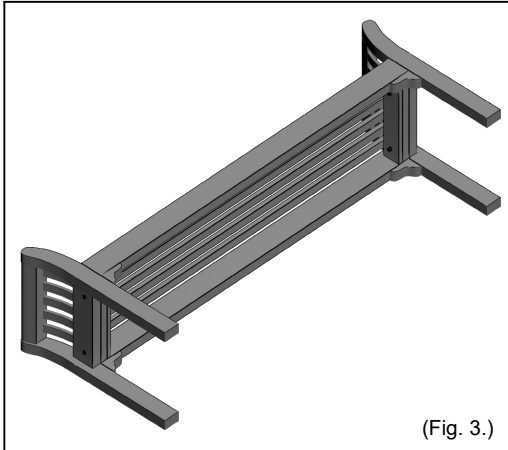
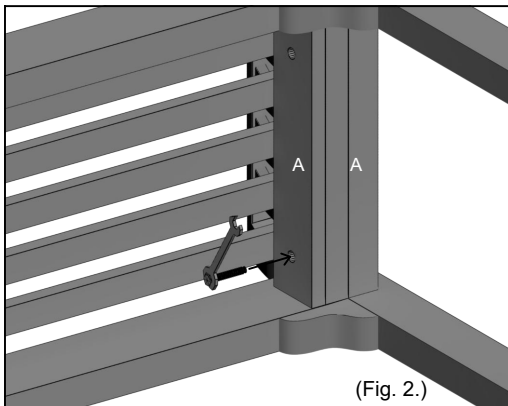
Step 1 : Turn bench top tilt onto a clean surface as shown in (Fig.1.)

Step 2 : Match leg labels to bench top with the label ("A" with "A" and "B" with "B") as shown in (Fig. 1.)

Step 3 : Put the washer on to a bolt and Insert into the leg hole, half tighten with the Spanner provided (Fig. 2).

Step 4 : Repeat the same for remaining holes and tighten all bolts to fasten securely as shown in (Fig. 3).

Step 5 : Turn the table in upright position after assembly as shown in (Fig. 4.)



Care Information:

- Clean using a soft, dry cloth.
- Do not use harsh abrasives, chemicals or polishes containing silicone to as they can damage this finish.
- Avoid direct sunlight as this will cause the timber to change colour. • It is important to remove moist substances immediately