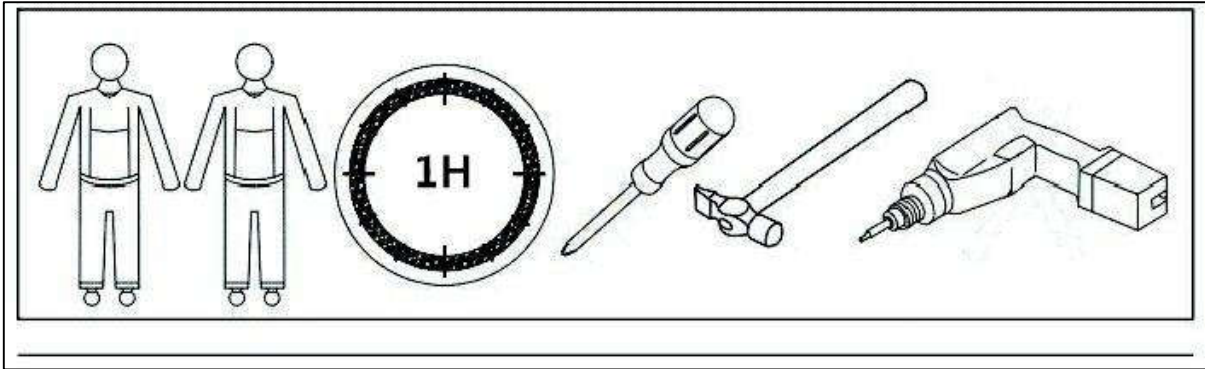
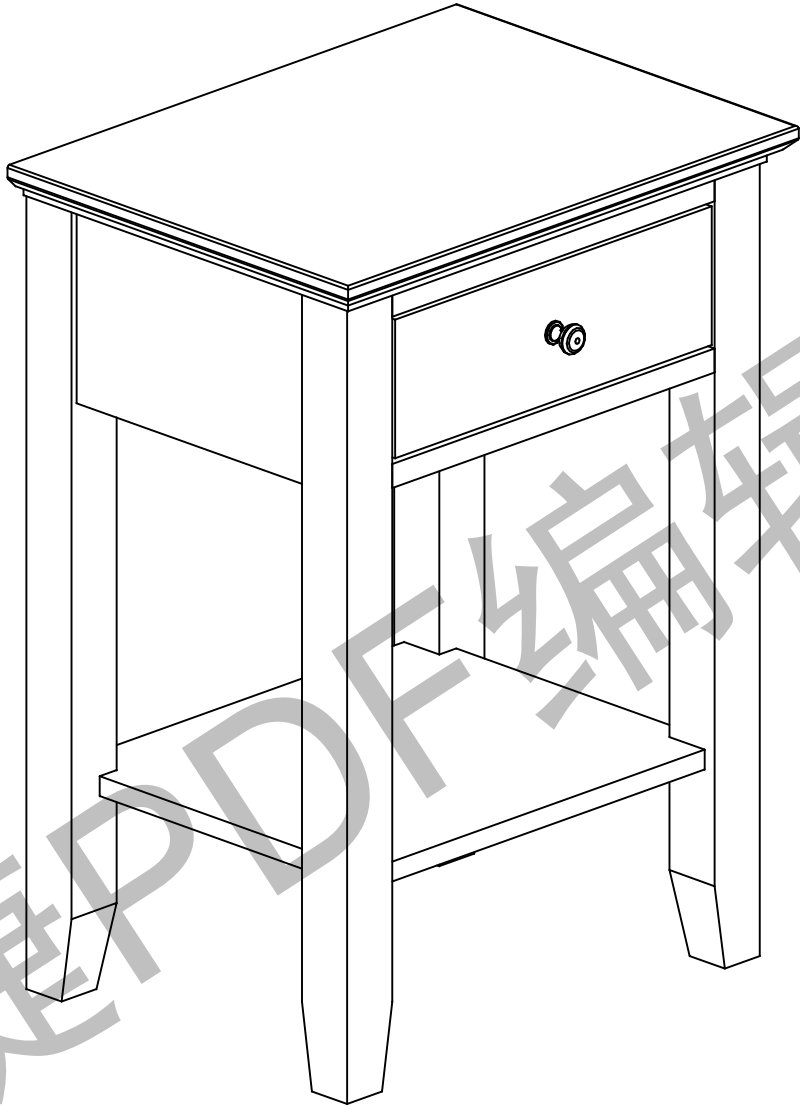
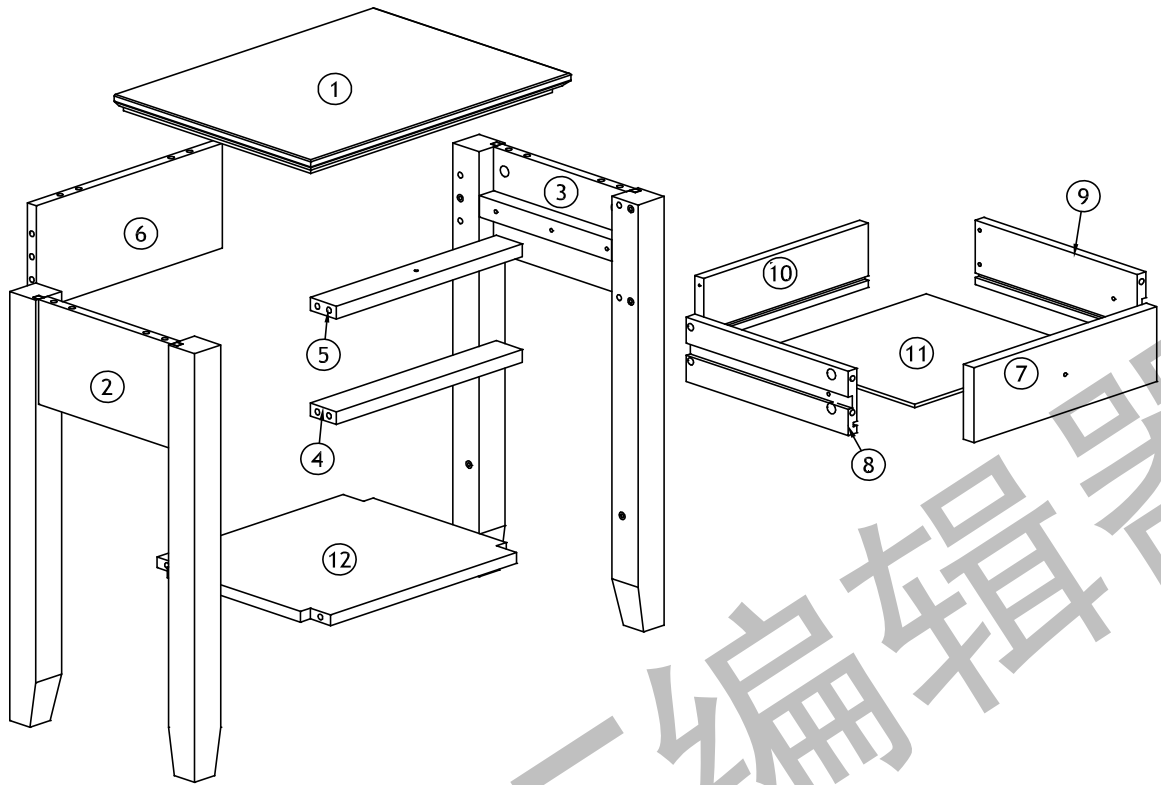
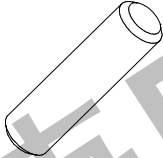
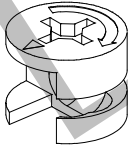
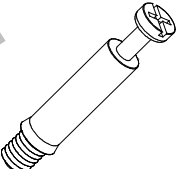
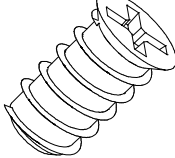

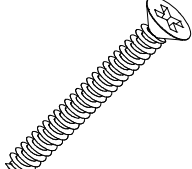
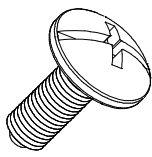
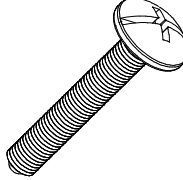

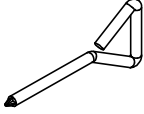
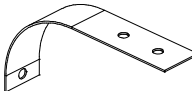

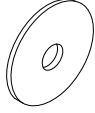


LINNEA BED SIDE TABLE

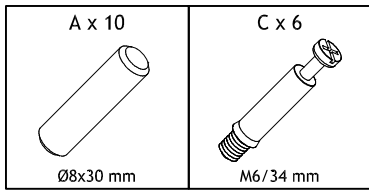


LINNEA BED SIDE TABLE

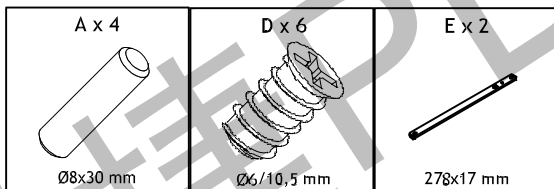
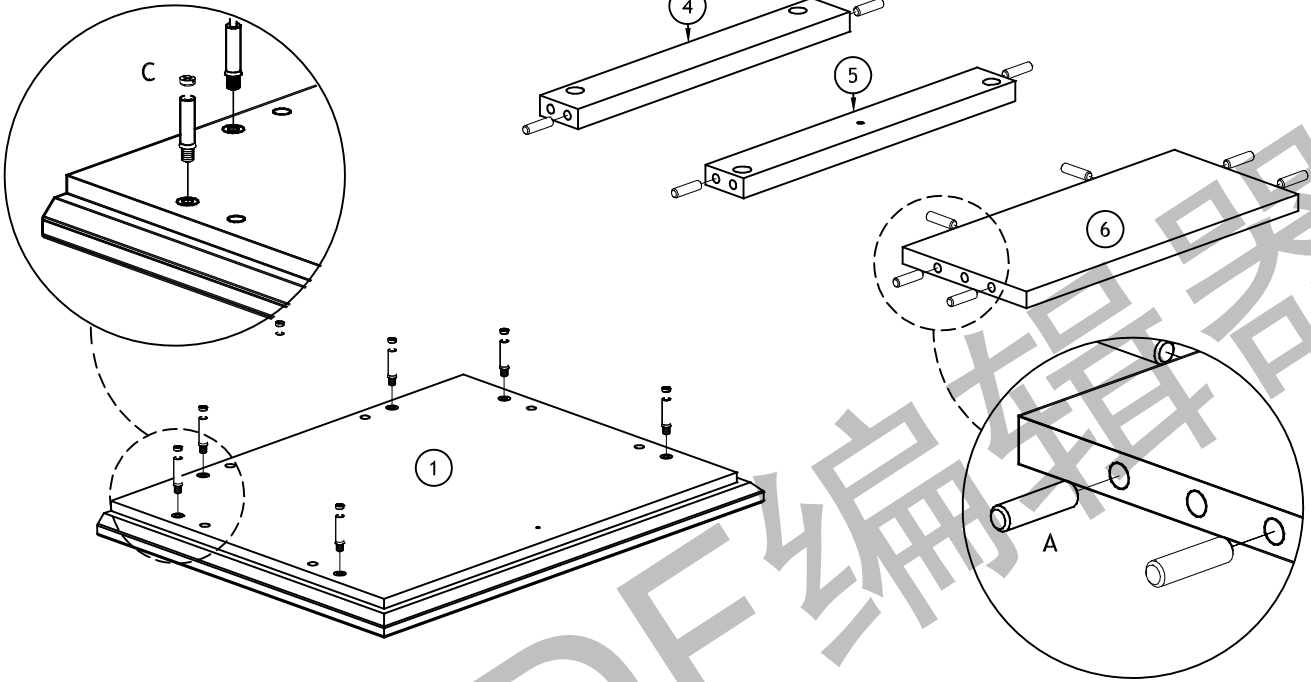


<p>A x 14</p>  <p>Ø8x30 mm</p>	<p>B x 20</p>  <p>Ø15x12 mm</p>	<p>C x 20</p>  <p>M6/34 mm</p>	<p>Dx 6</p>  <p>Ø6/10,5 mm</p>
<p>E x 2</p>  <p>278x17 mm</p>	<p>F x 5</p>  <p>Ø4x35 mm</p>	<p>G x 2</p>  <p>M4x11 mm</p>	<p>H x 1</p>  <p>M4x23 mm</p>
<p>I x 1</p>  <p>Ø22x24mm</p>	<p>J x 1</p>  <p>PZ 2</p>	<p>K x 1</p>  <p>150x26 mm</p>	<p>L x 2</p>  <p>Ø4x15 mm</p>
<p>M x 3</p>  <p>M4/Ø12x1mm</p>			

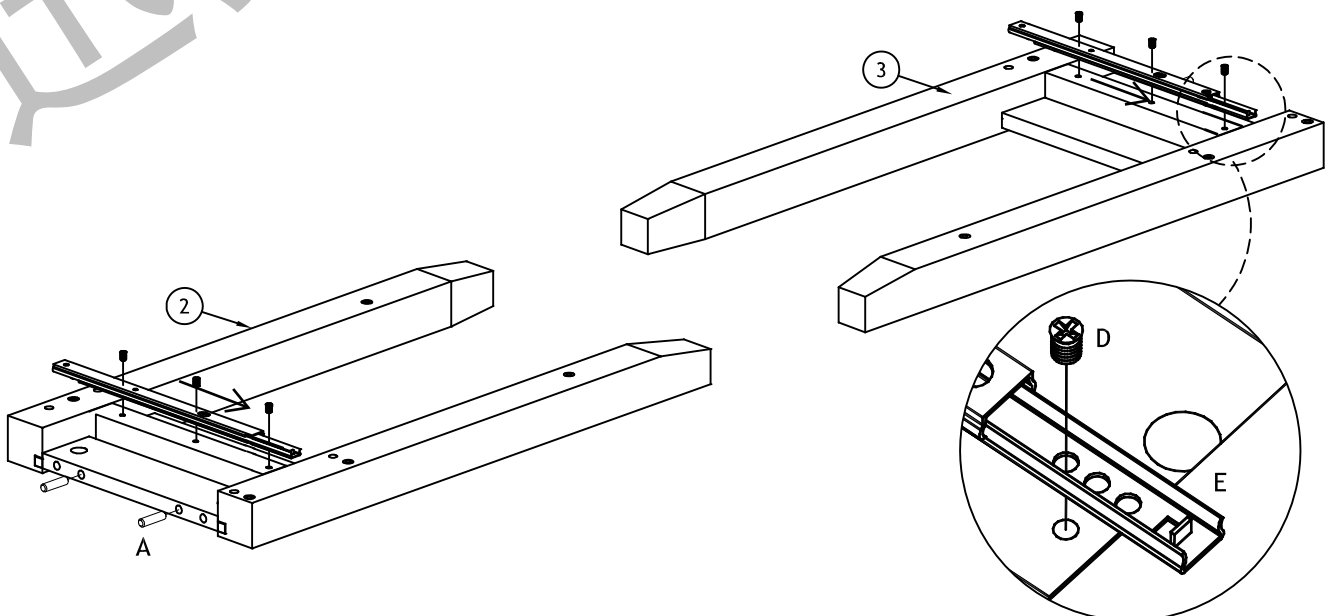
LINNEA BED SIDE TABLE



1



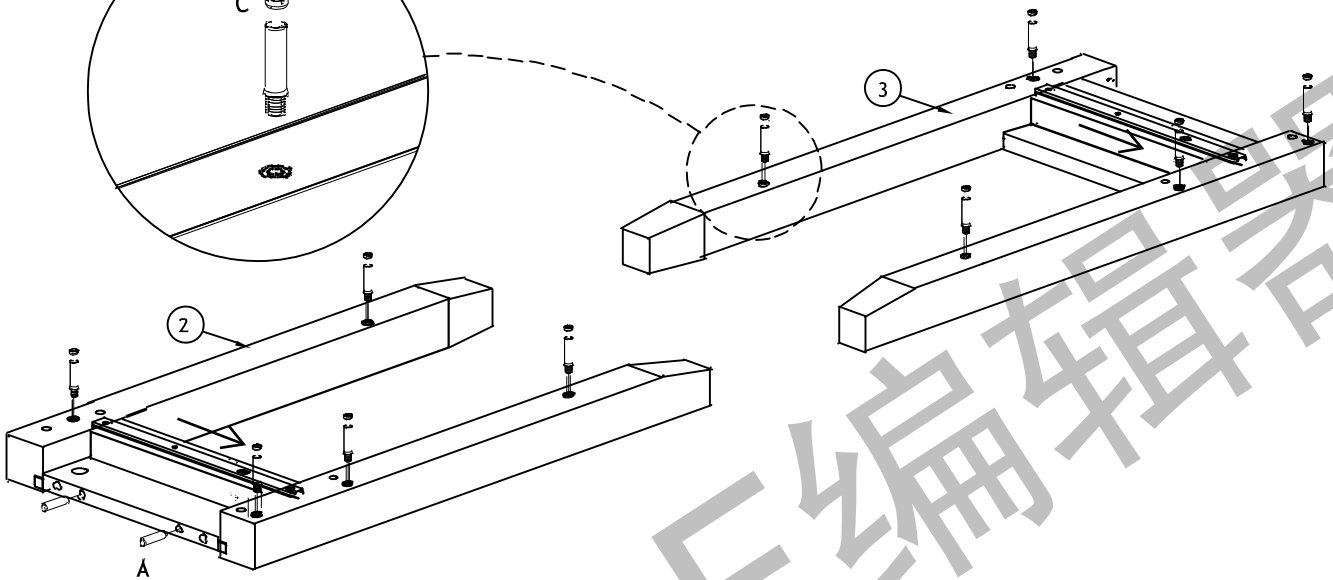
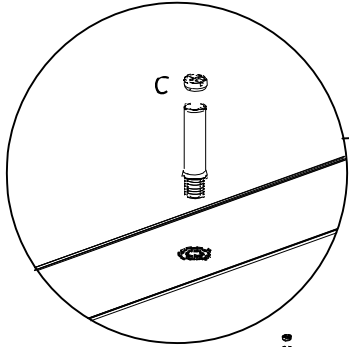
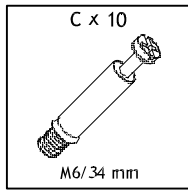
2



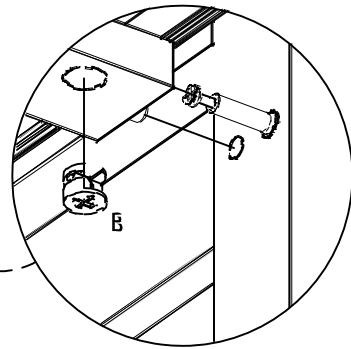
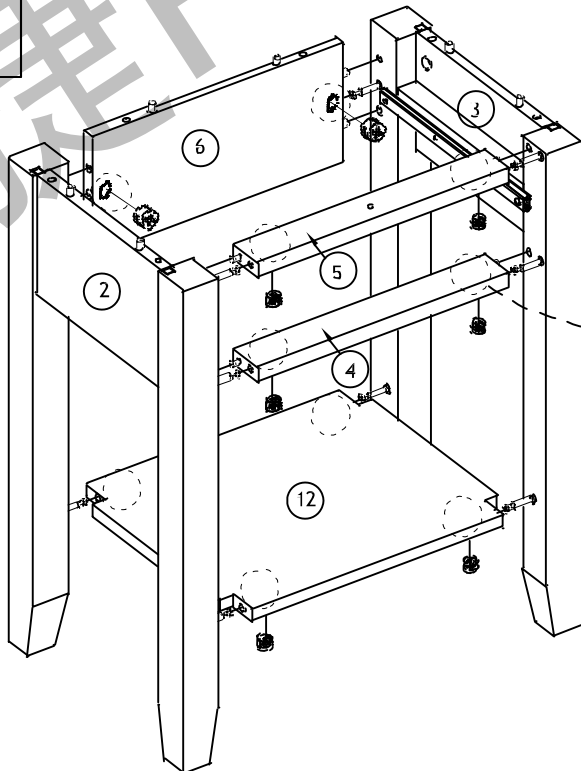
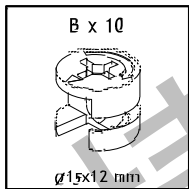
3

LINNEA BED SIDE TABLE

3

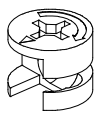




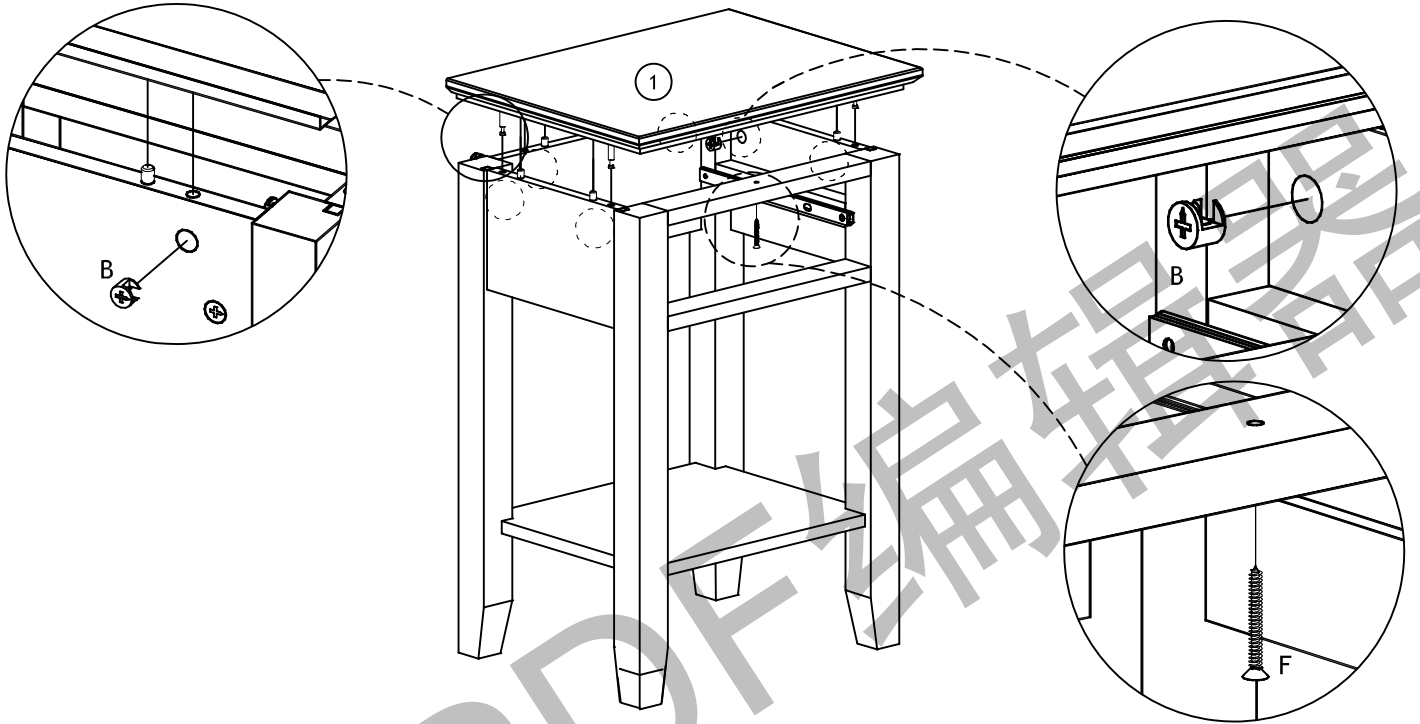
4



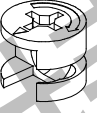
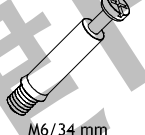



LINNEA BED SIDE TABLE

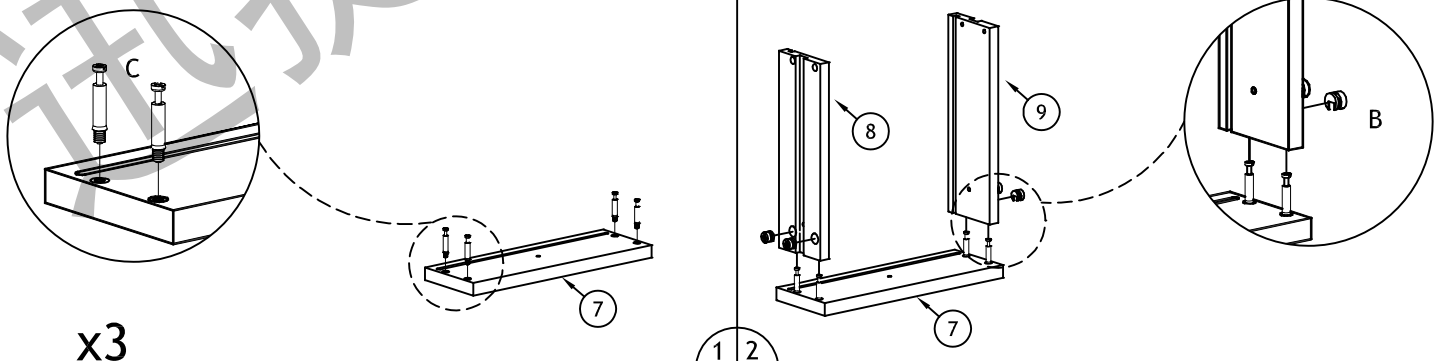
5

B x 6  Ø15x12 mm	F x 1  Ø4x35 mm	J x 1  PZ 2
---	--	--



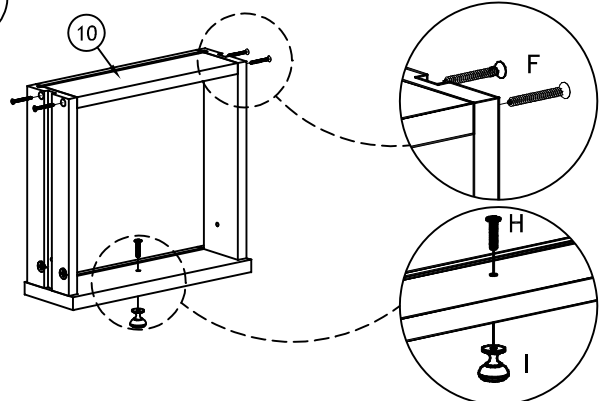
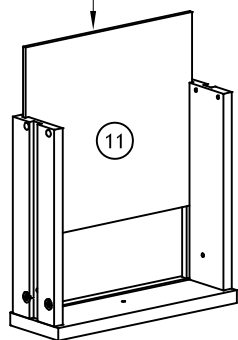
6

B x 4  Ø15x12 mm	C x 4  M6/34 mm	F x 4  Ø4x35 mm	H x 1  M4x23 mm	I x 1  Ø22x24mm
---	--	--	--	---



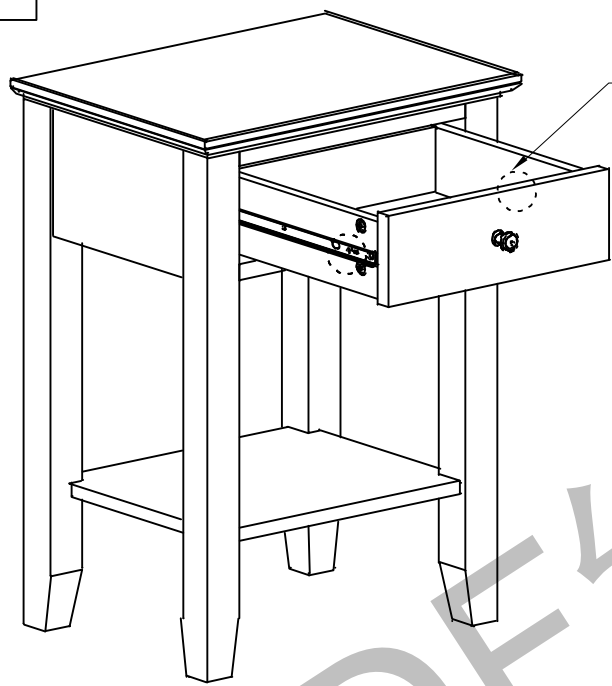
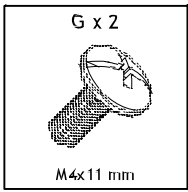
x3

1 2
3 4

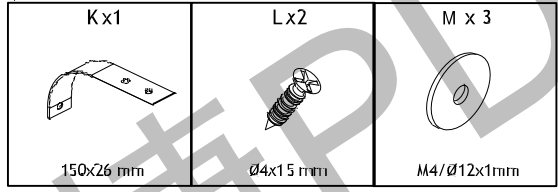


5

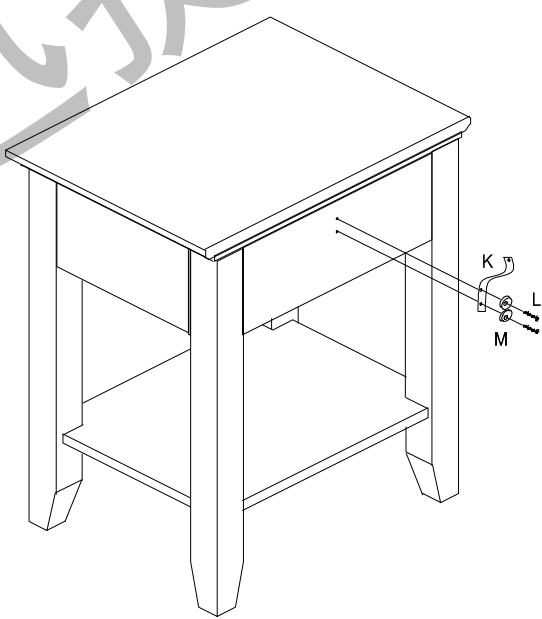
7



8



I



II

