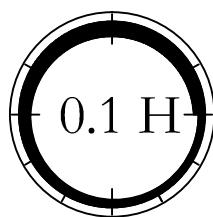
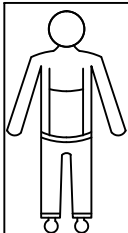
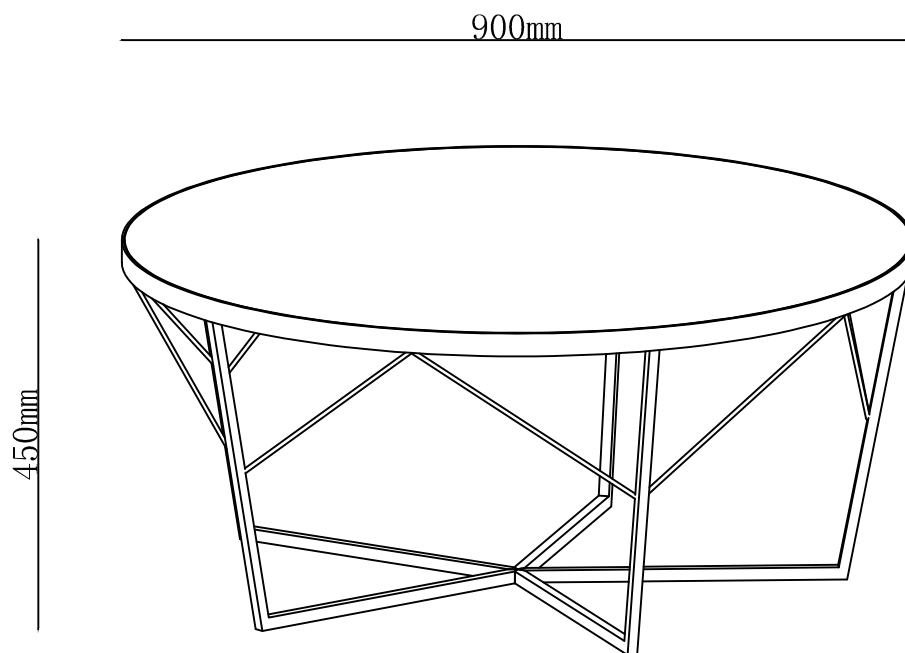
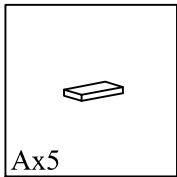
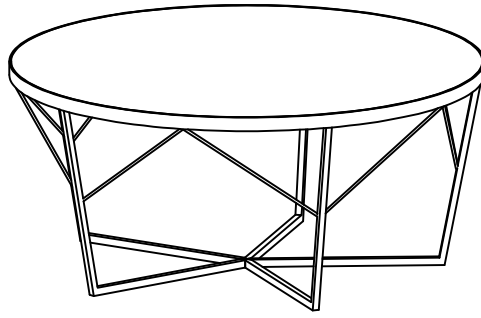


# DURHAM

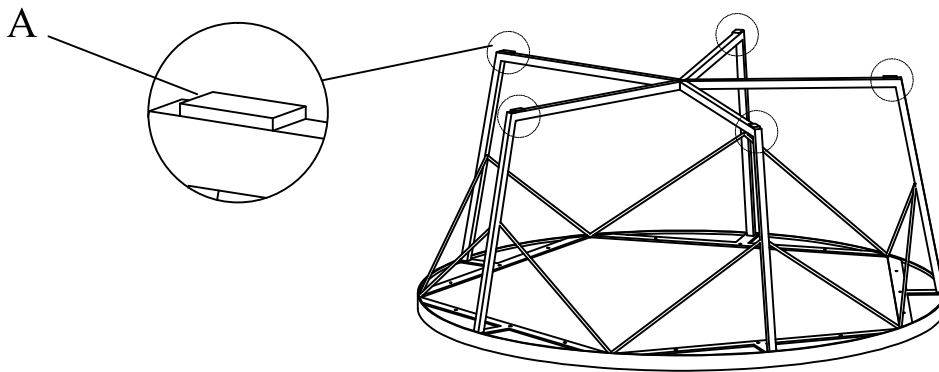




No.	SIZE	QTY
1	∅900x450 mm	1



①



②

