


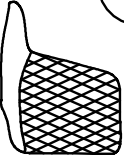



# ASSEMBLY INSTRUCTION DC434R

A	B	C	D	E
 4 PCS	 4 PCS	 1 PC		
 1 PC	 1 PC			

**1**

