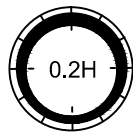
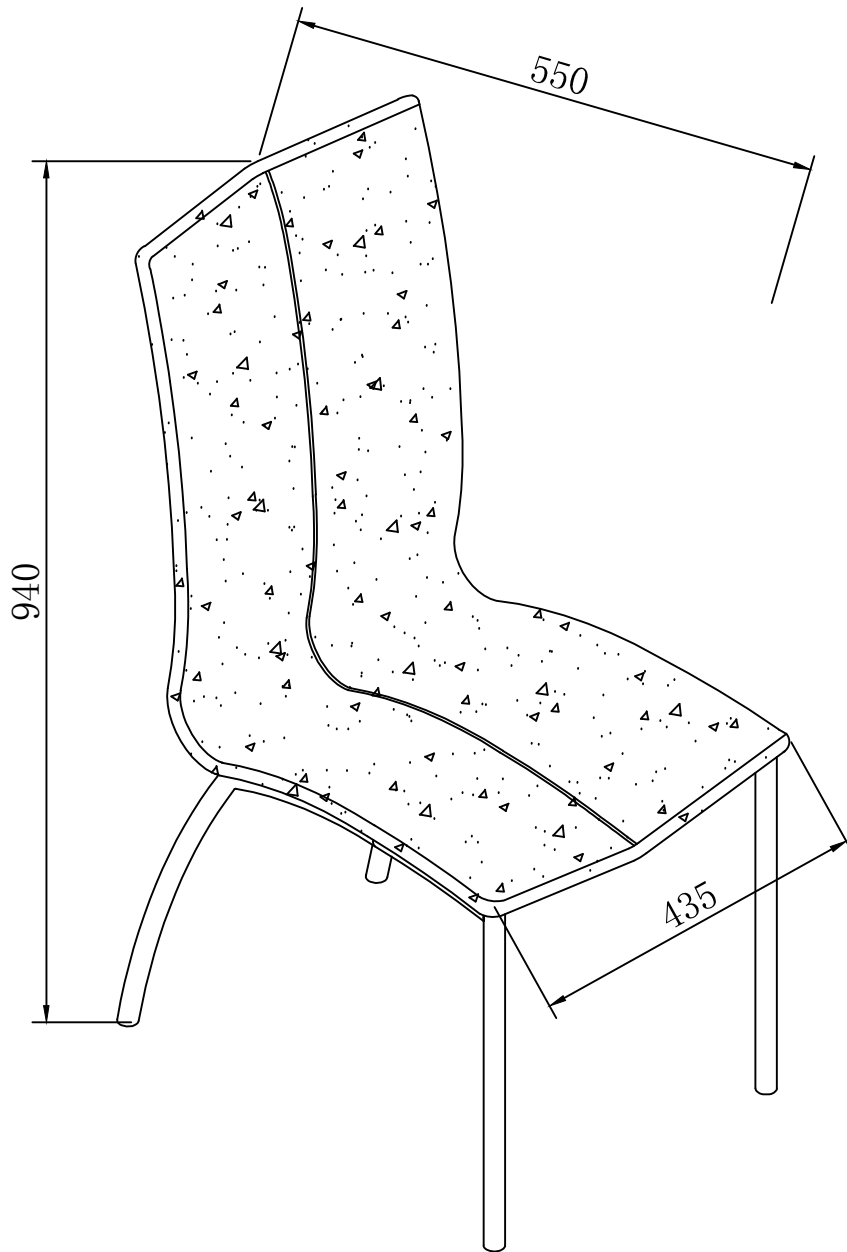
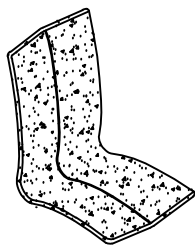
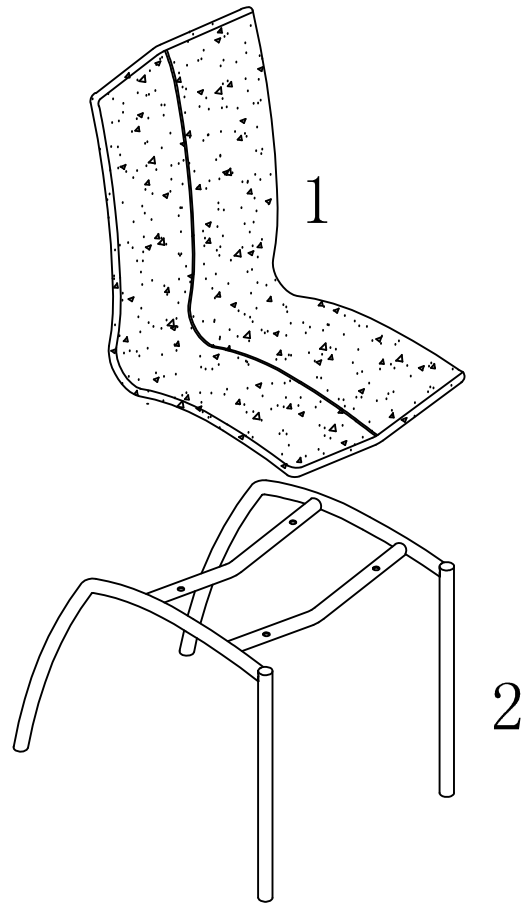
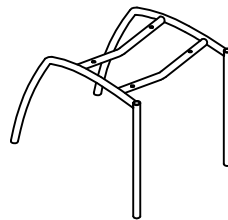


# Asama





1 (X1)



2 (X1)

M6\*40  
A (X4)



φ6\*16\*1  
B (X4)



φ6  
C (X4)



# Asama

---

