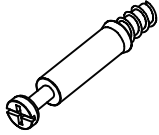
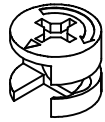


A × 40



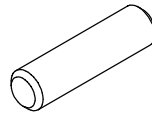
∅6×43 mm

B × 40



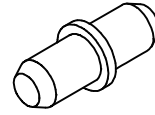
∅15×12 mm

C × 40



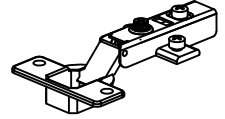
∅8×30 mm

D × 4



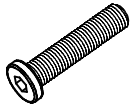
∅5×16 mm

E × 5



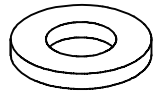
∅35 mm

F × 10



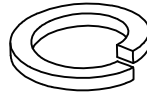
M6×45 mm

G × 14



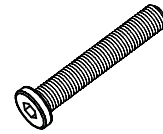
∅6/∅16 mm

H × 14



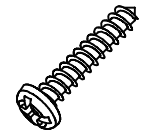
∅6 mm

J × 4



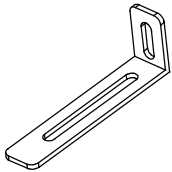
M6×65 mm

K × 10



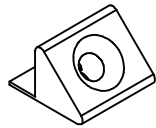
∅3.5×16 mm

L × 2



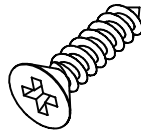
75×25×15 mm

M × 16



14×14 mm

N × 26



∅3.5×16 mm

P × 4

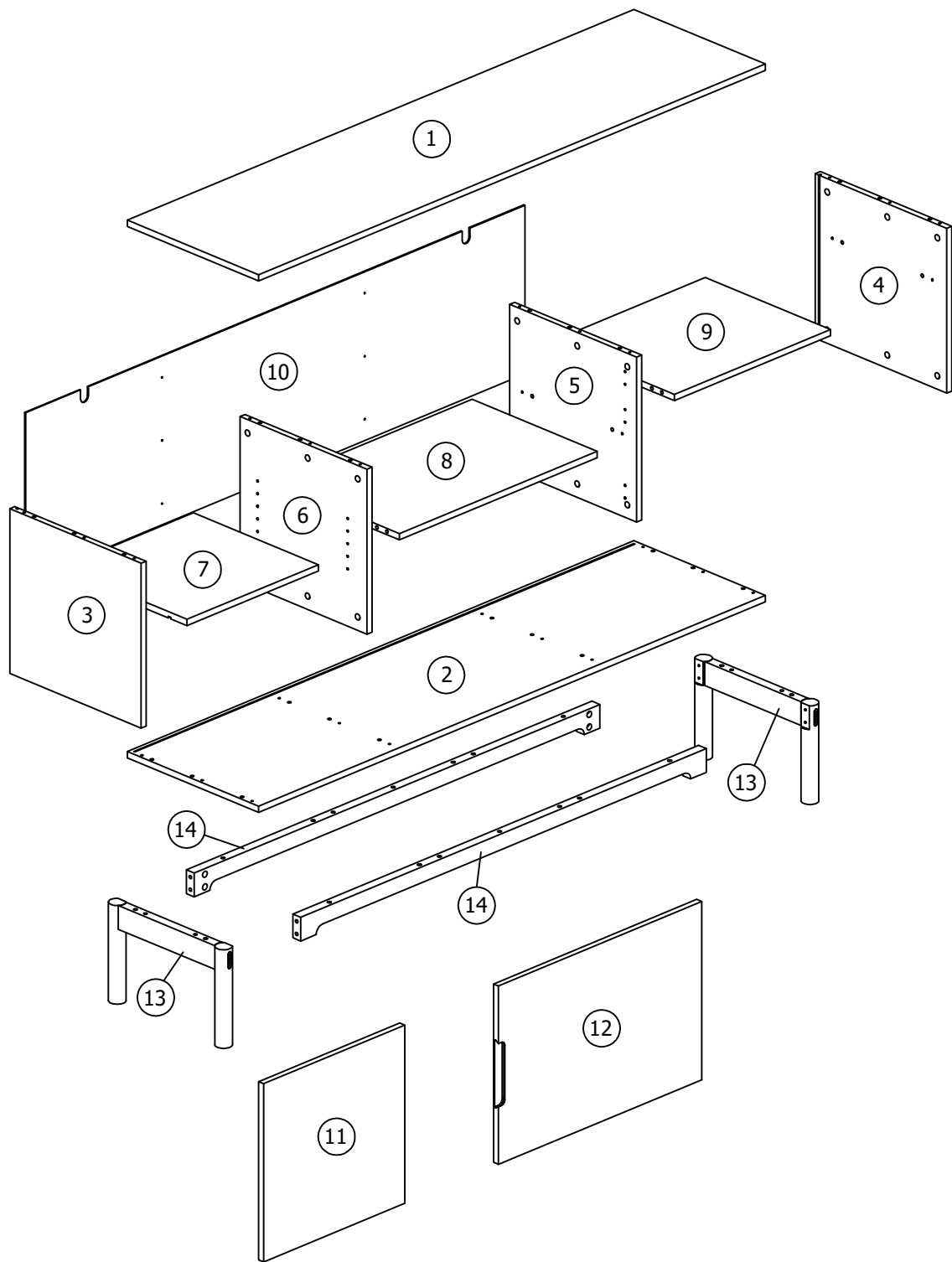


∅35×3 mm

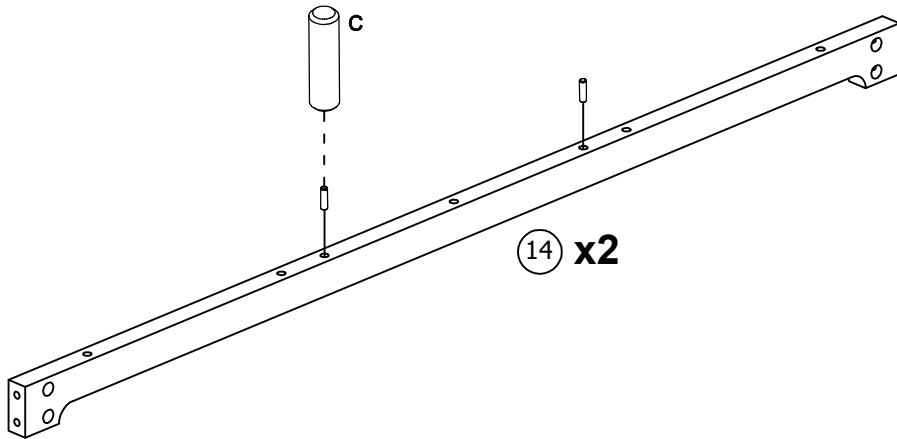
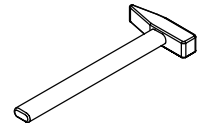
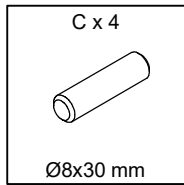
Q × 1



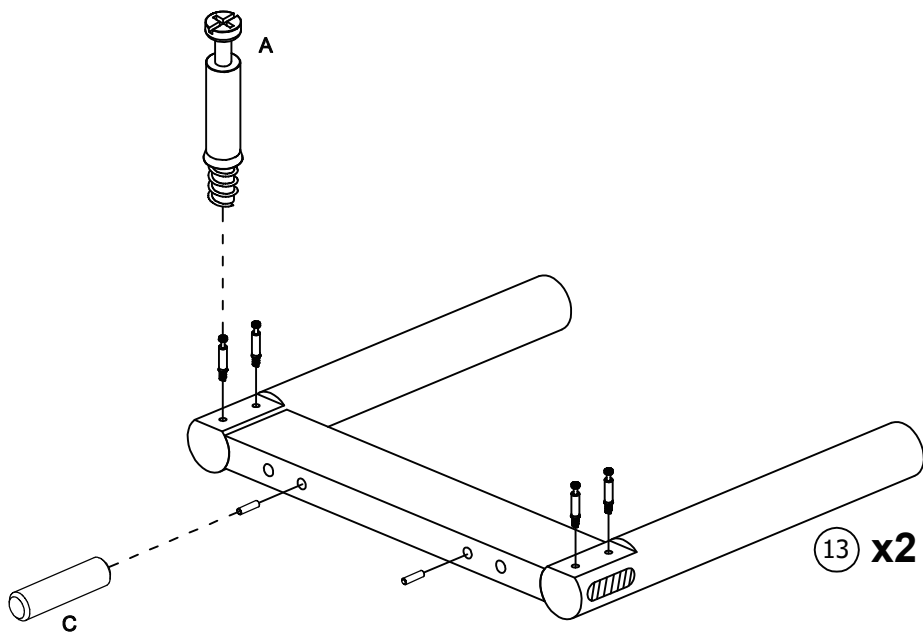
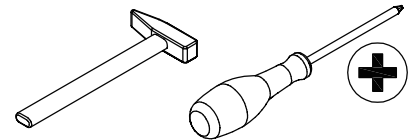
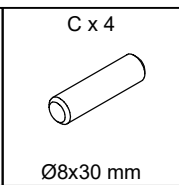
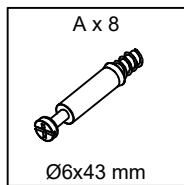
4 mm



1

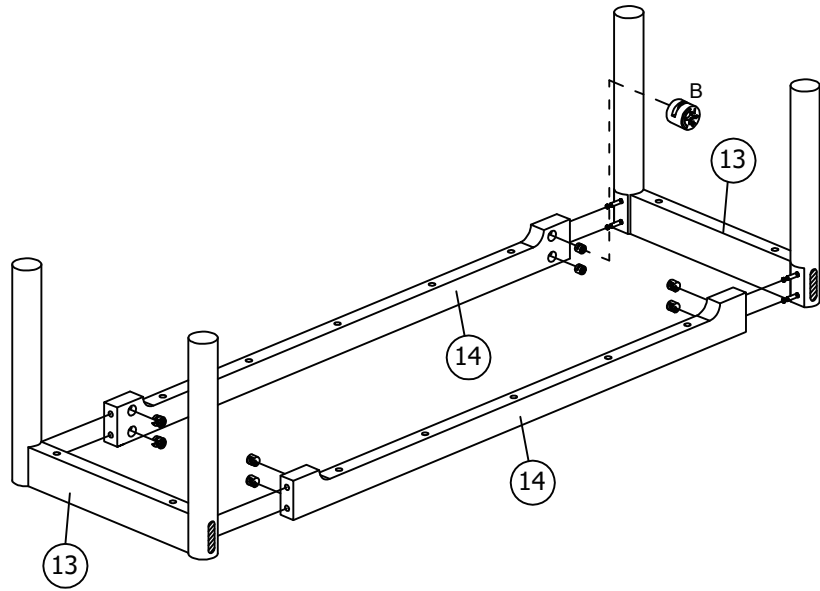


2

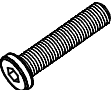





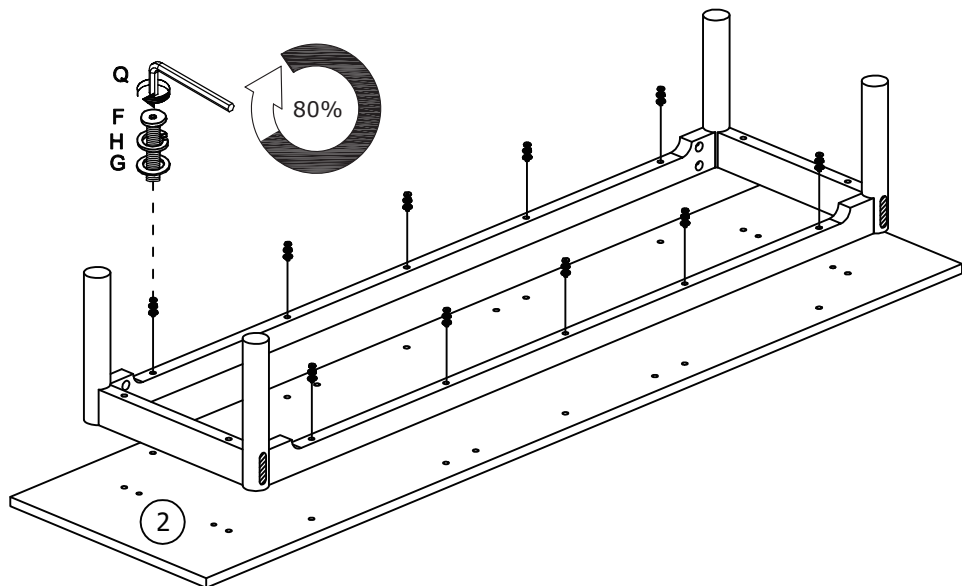
3

<p>B x 8</p>  <p>Ø15x12 mm</p>	 
---	---

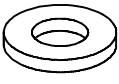
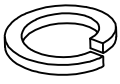





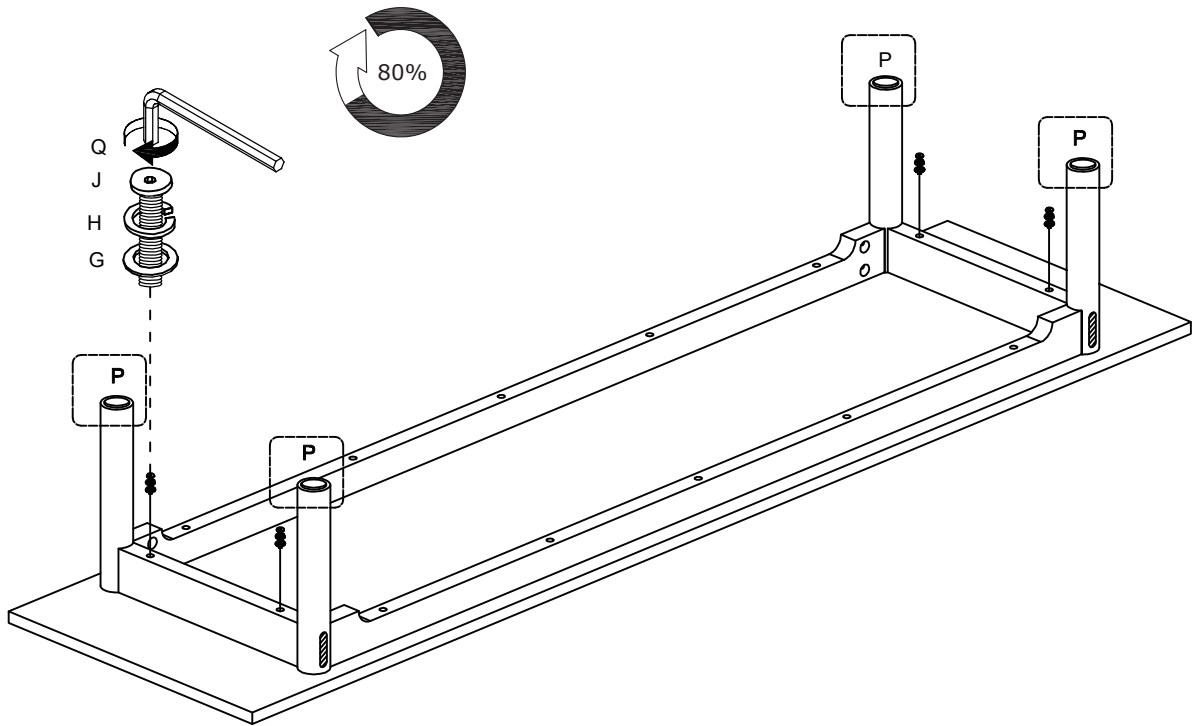
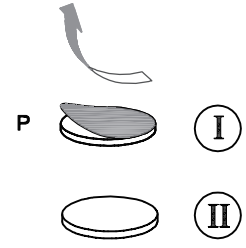
4

<p>F x 10</p>  <p>M6x45 mm</p>	<p>G x 10</p>  <p>Ø6/Ø16 mm</p>	<p>H x 10</p>  <p>Ø6 mm</p>	<p>Q x 1</p>  <p>4 mm</p>	
---	--	--	--	--

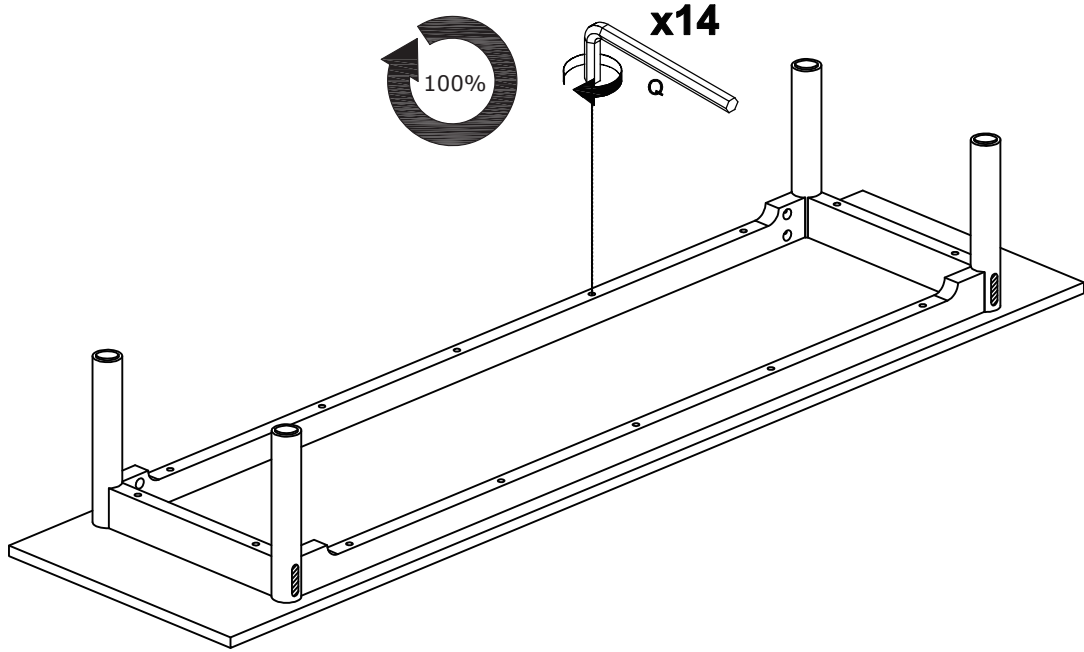
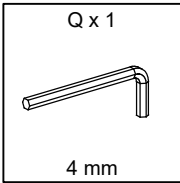


5

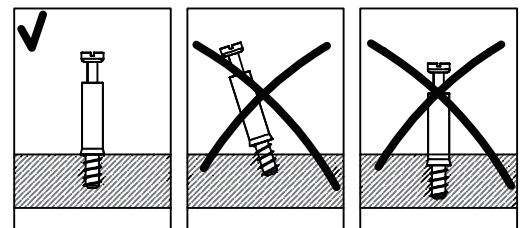
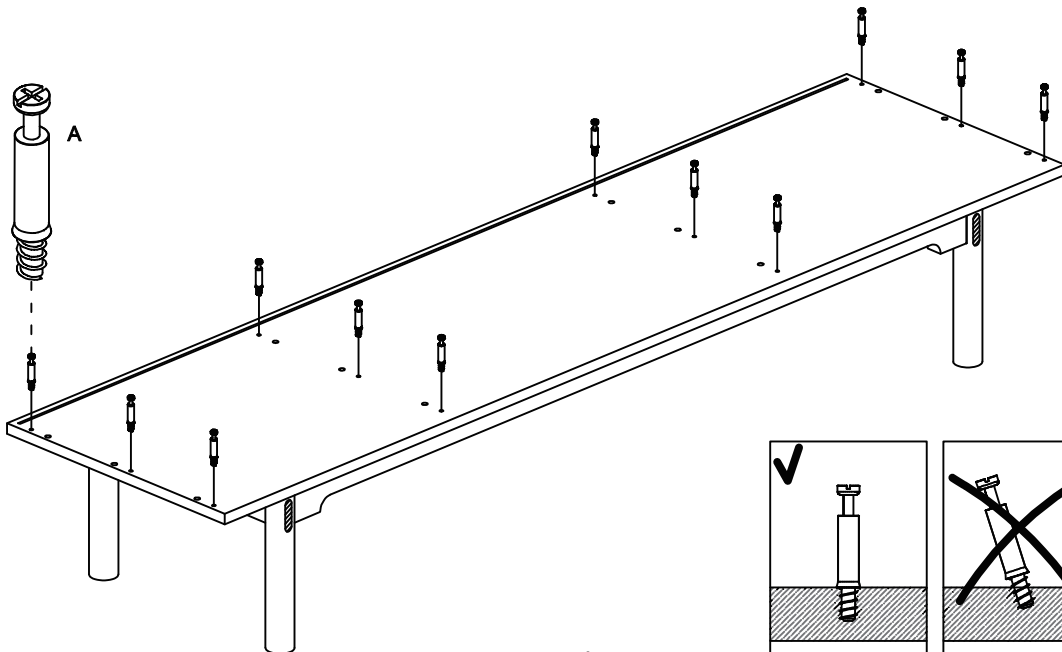
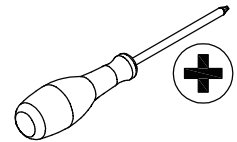
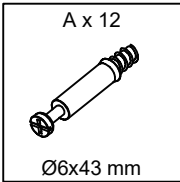
G x 4  Ø6/Ø16 mm	H x 4  Ø6 mm	J x 4  M6x65 mm	P x 4  Ø35x3 mm	Q x 1  4 mm	
---	---	--	---	--	--



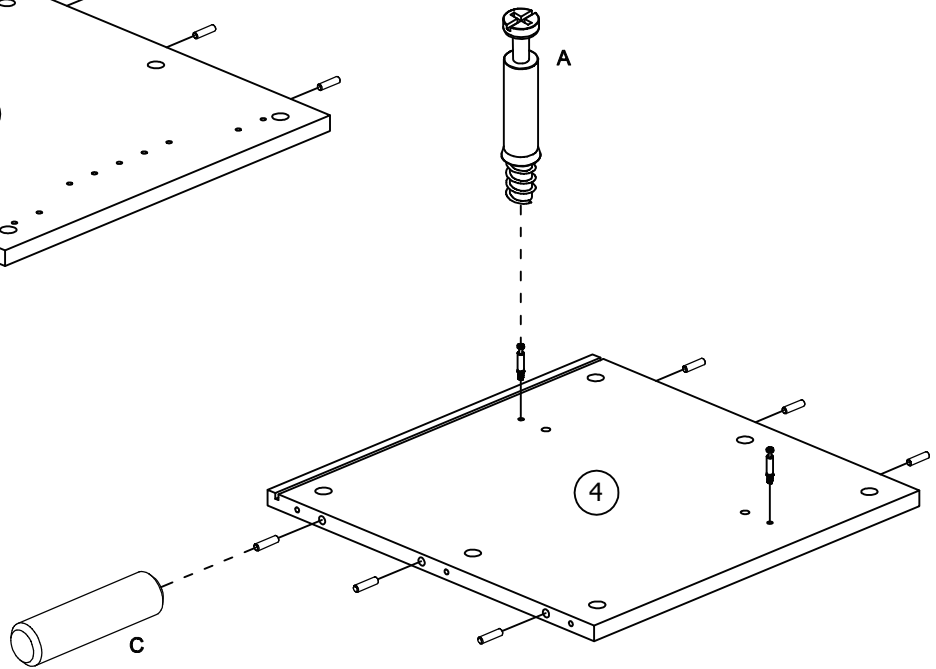
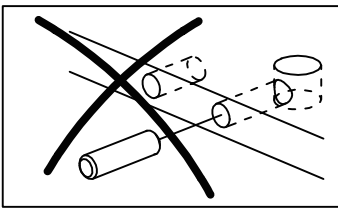
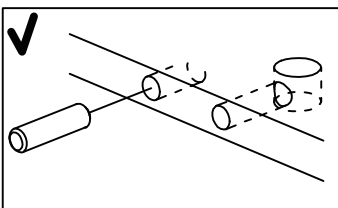
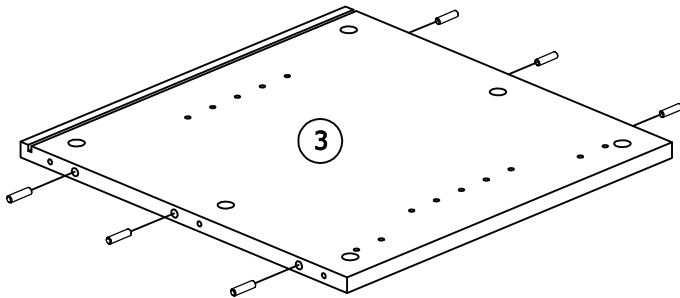
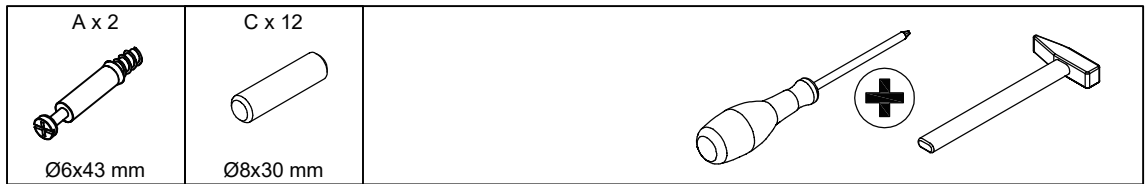
6



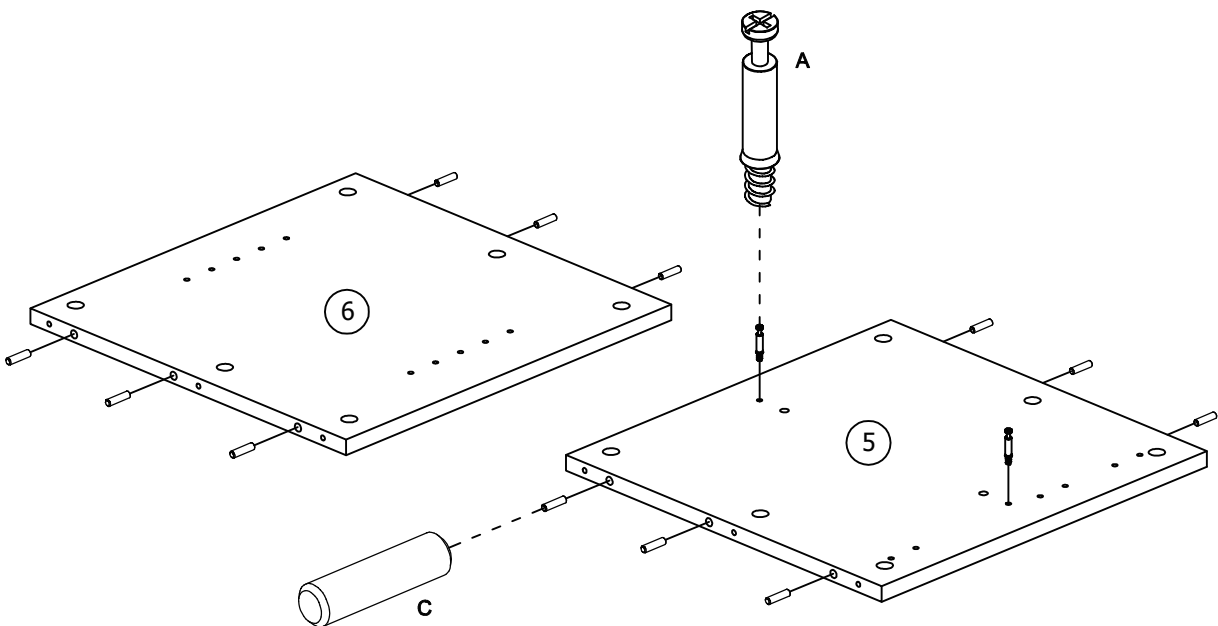
7



8

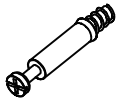


9

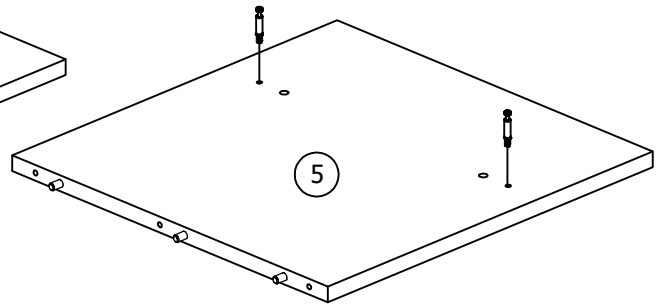
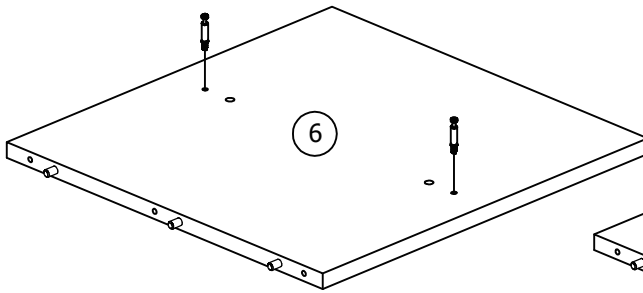
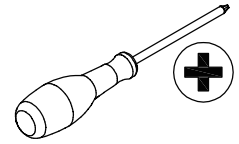


10

A x 4

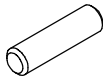


Ø6x43 mm

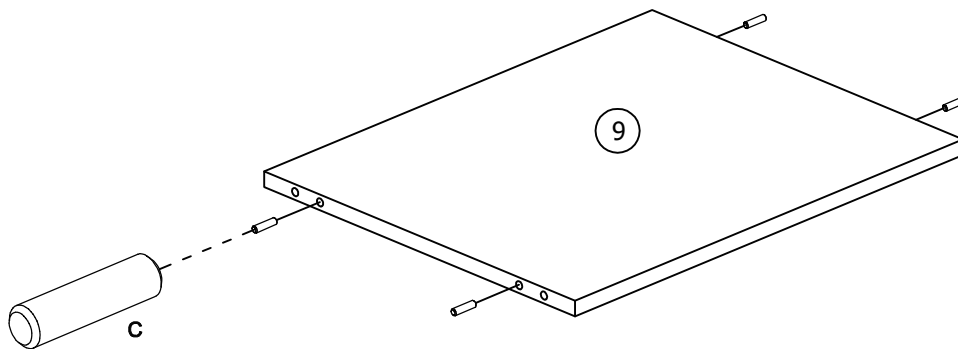
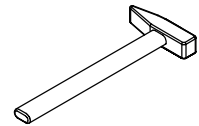


11

C x 4



Ø8x30 mm

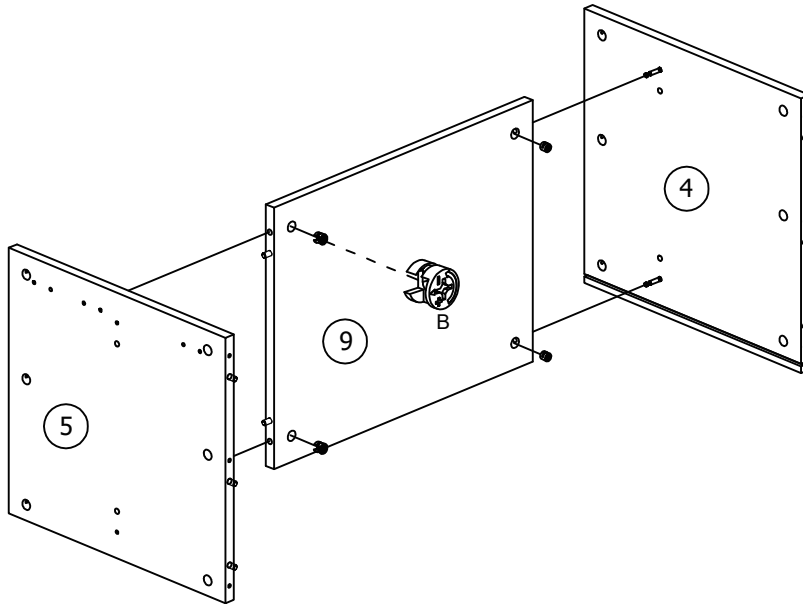
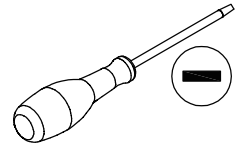


12

B x 4

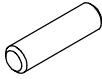


Ø15x12 mm

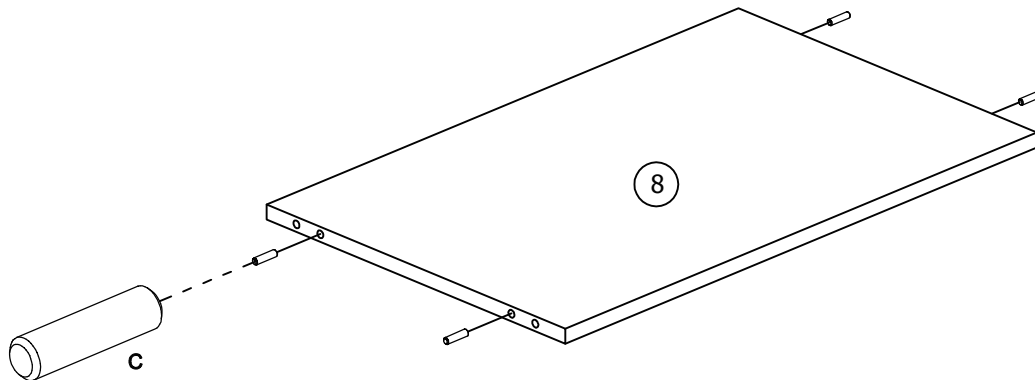
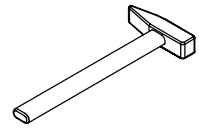


13

C x 4



Ø8x30 mm

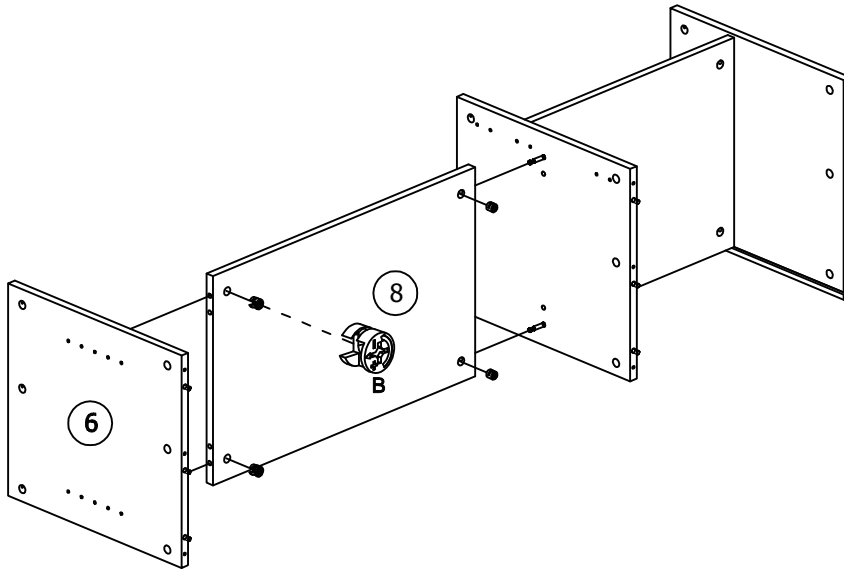
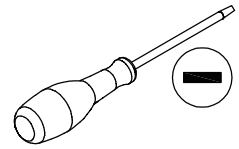


14

B x 4



Ø15x12 mm

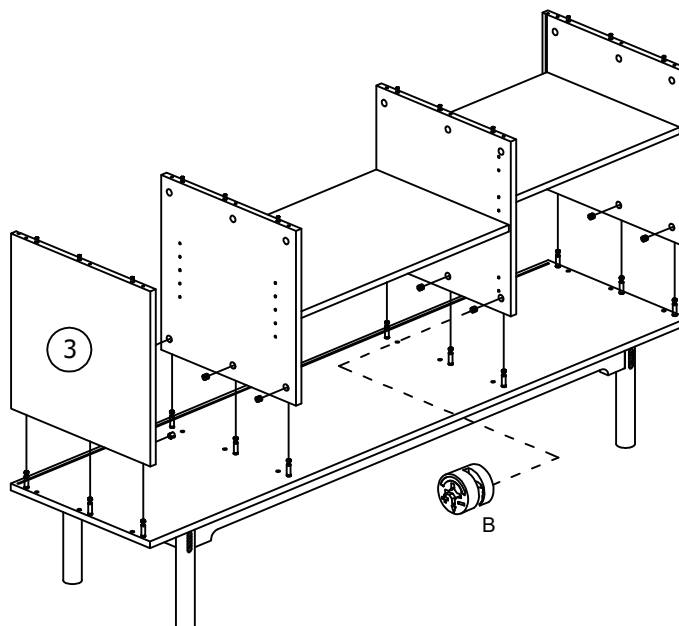
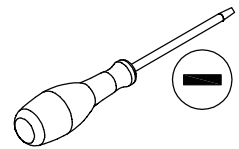


15

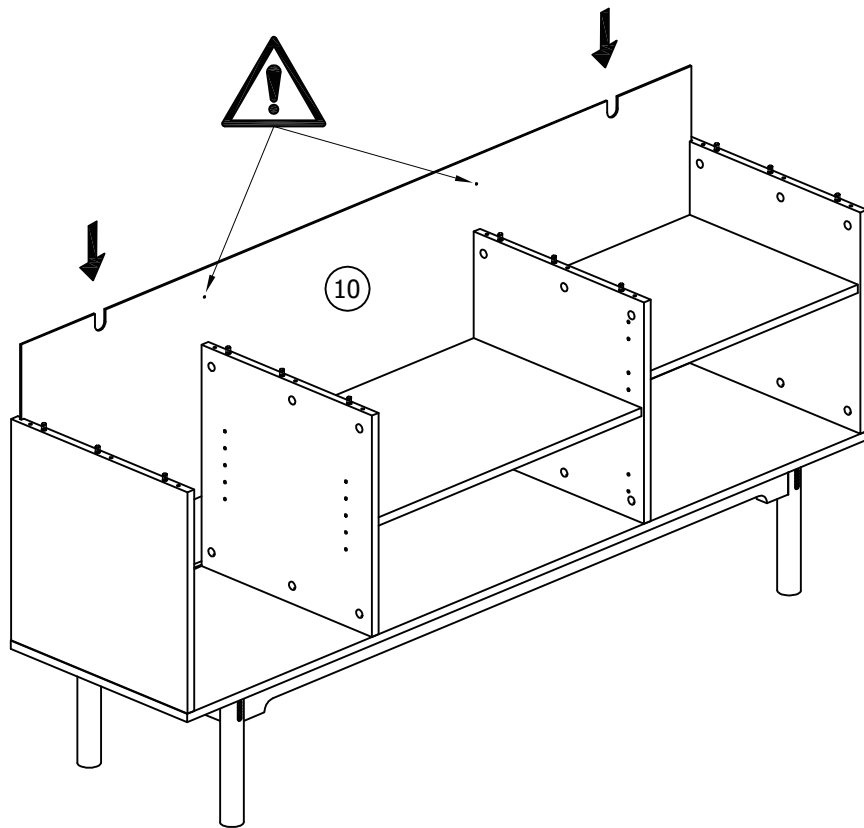
B x 12



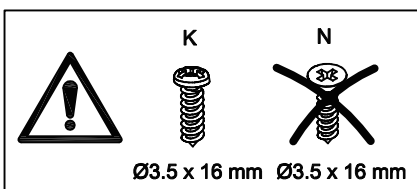
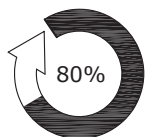
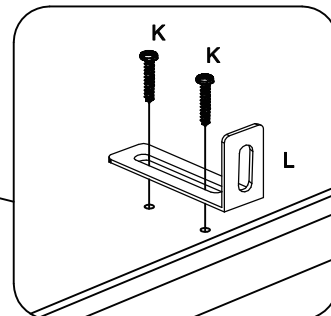
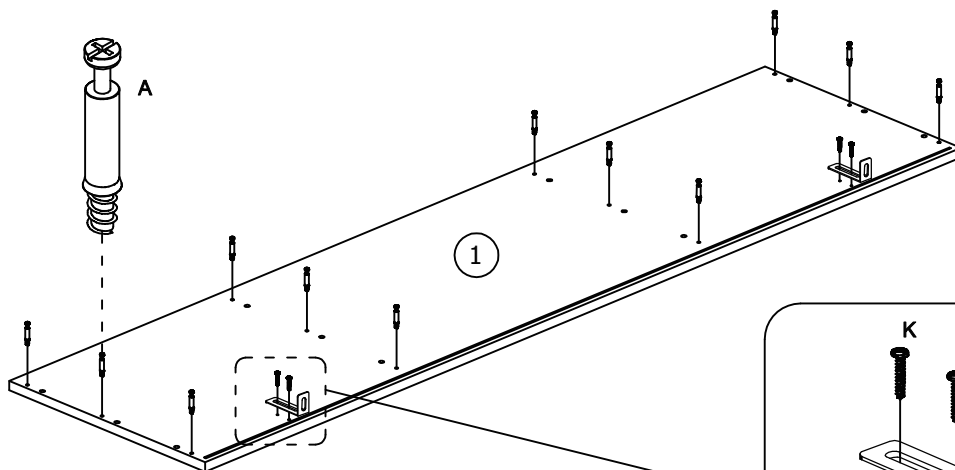
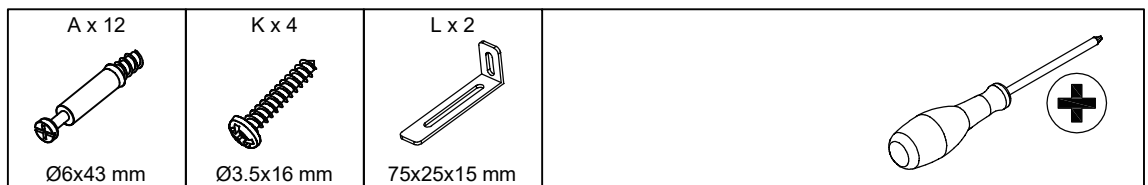
Ø15x12 mm



16

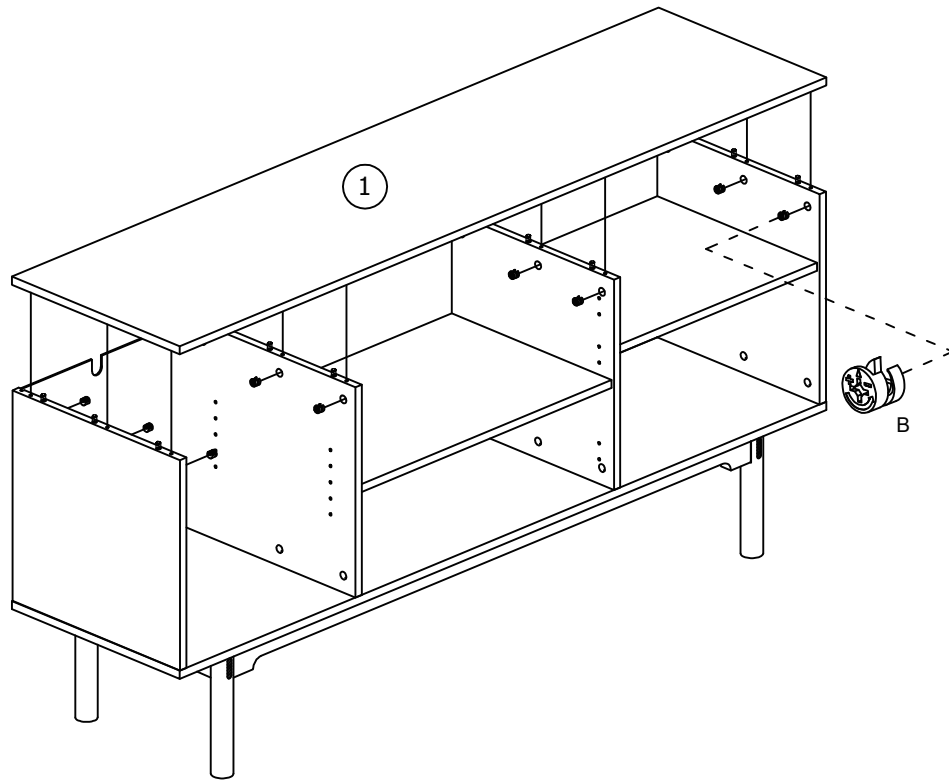
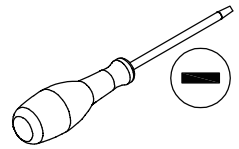


17



18

B x 12
Ø15x12 mm



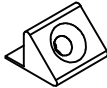
19

K x 6



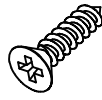
Ø3.5x16 mm

M x 16

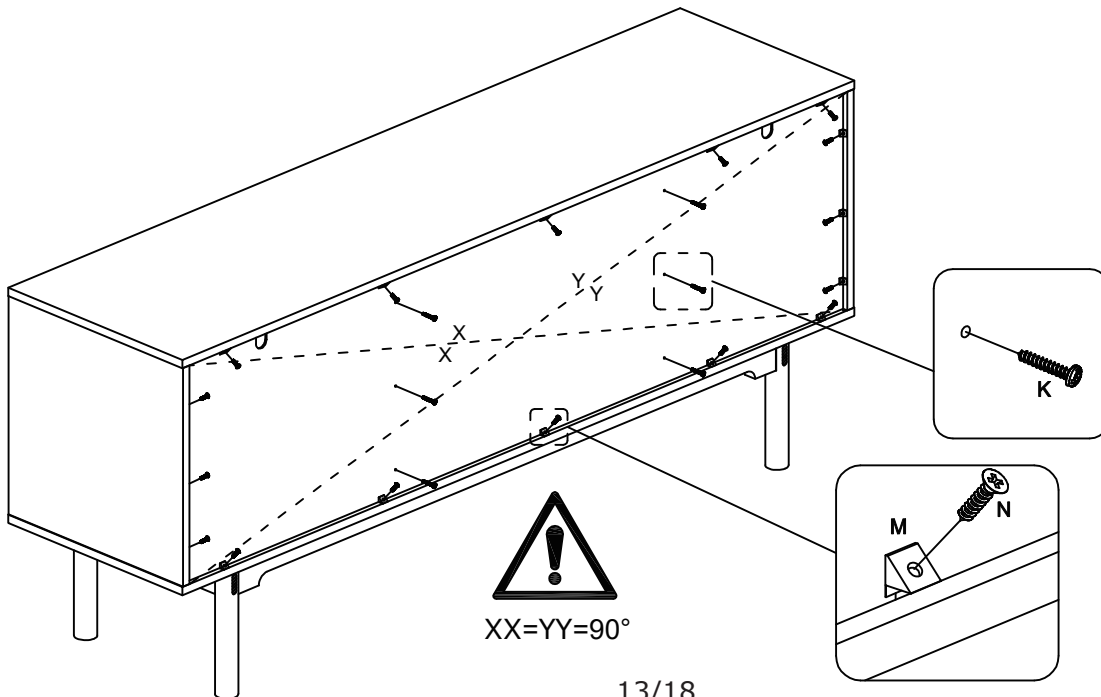
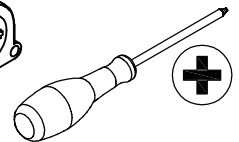
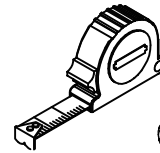


14x14 mm

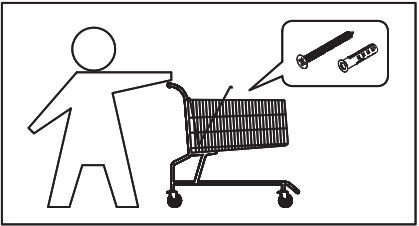
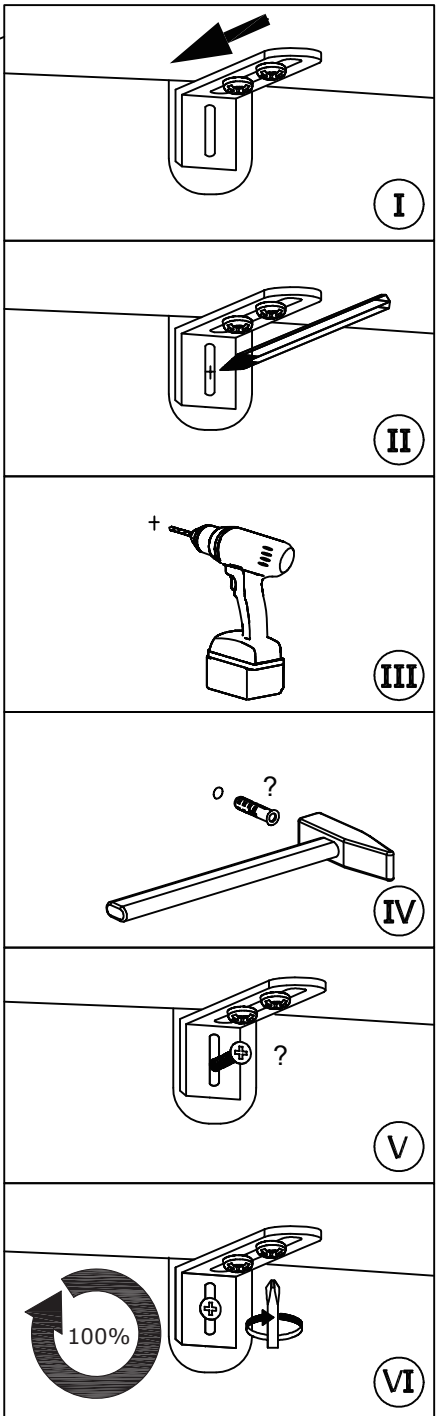
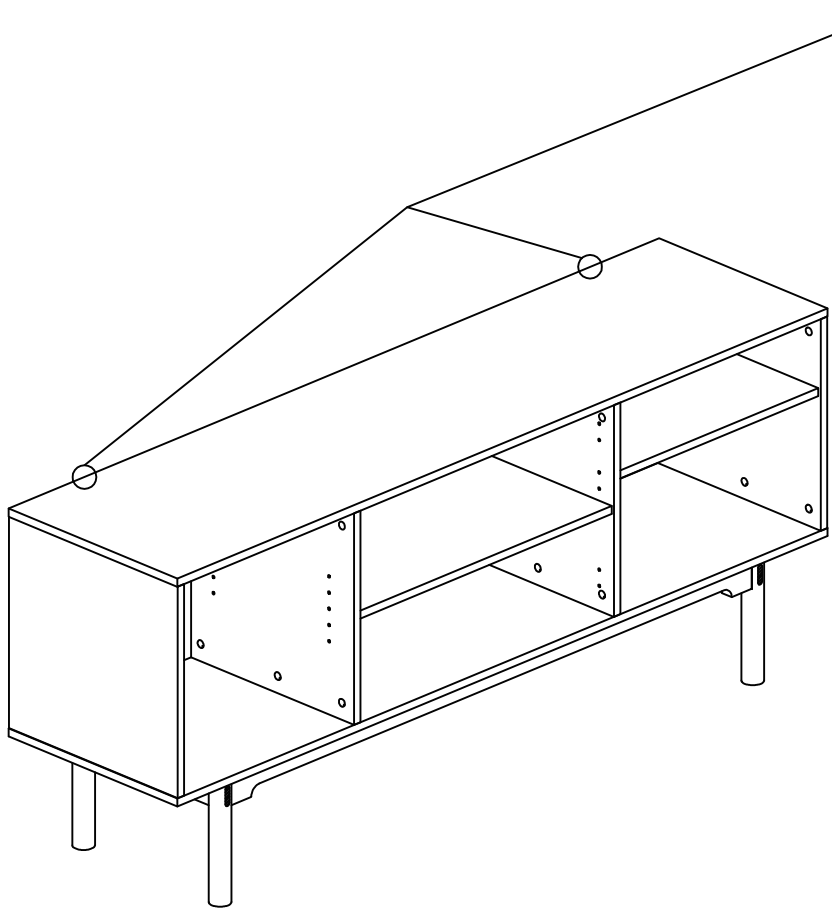
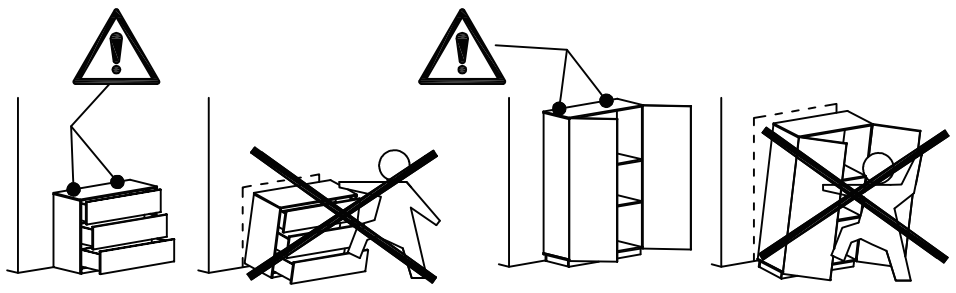
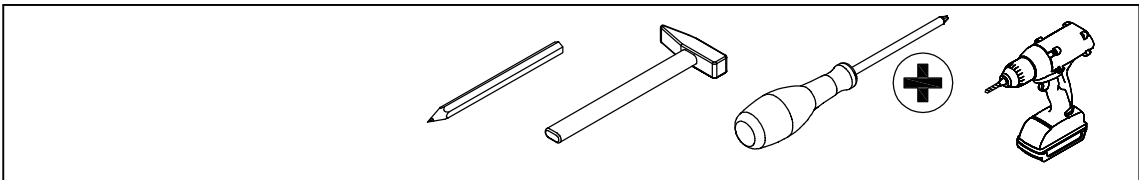
N x 16



Ø3.5x16 mm

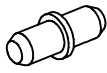


20

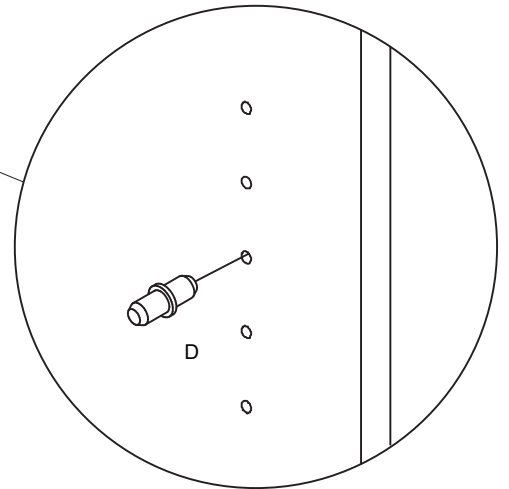
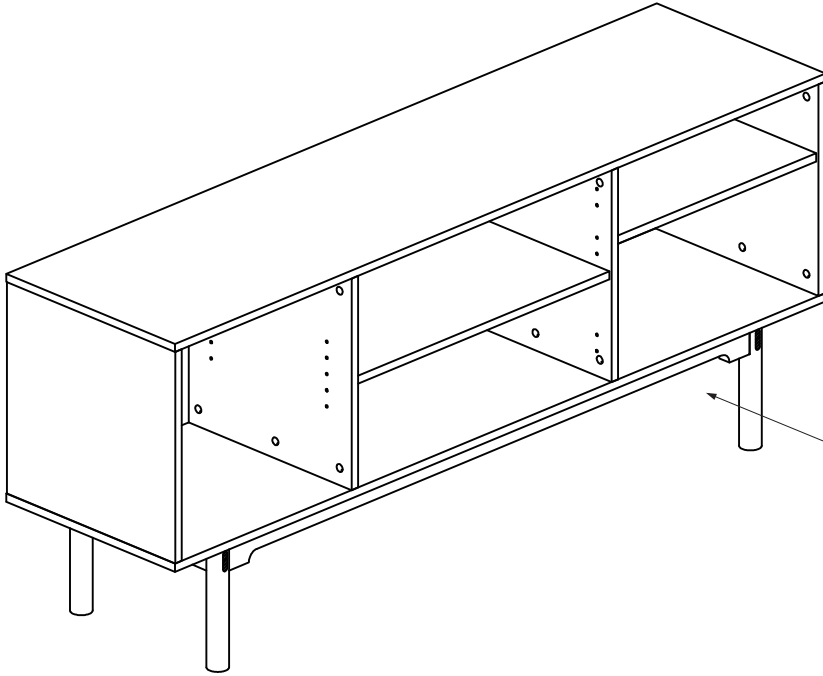
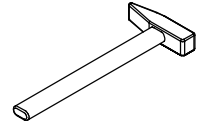


21

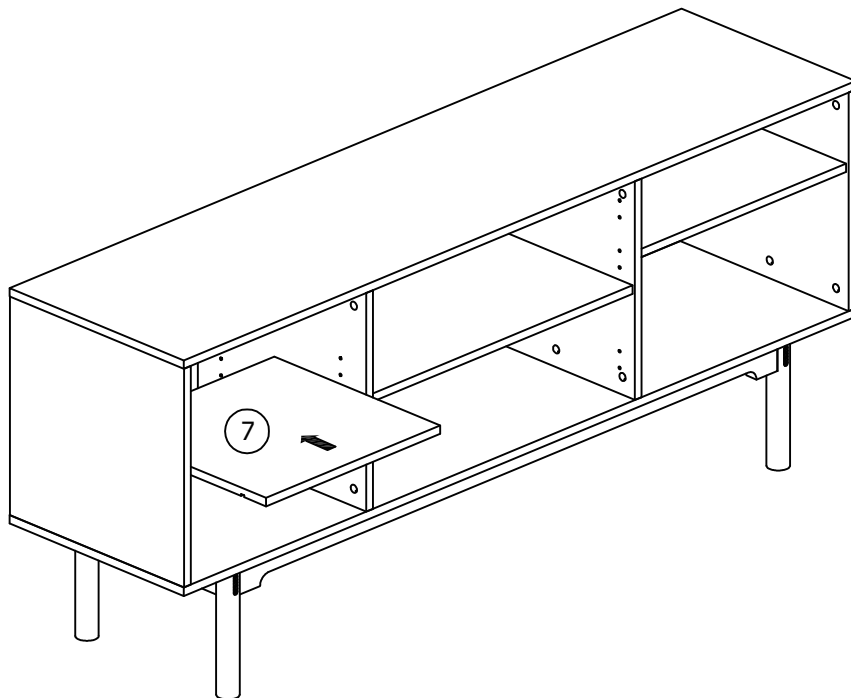
D x 4



Ø5x16 mm

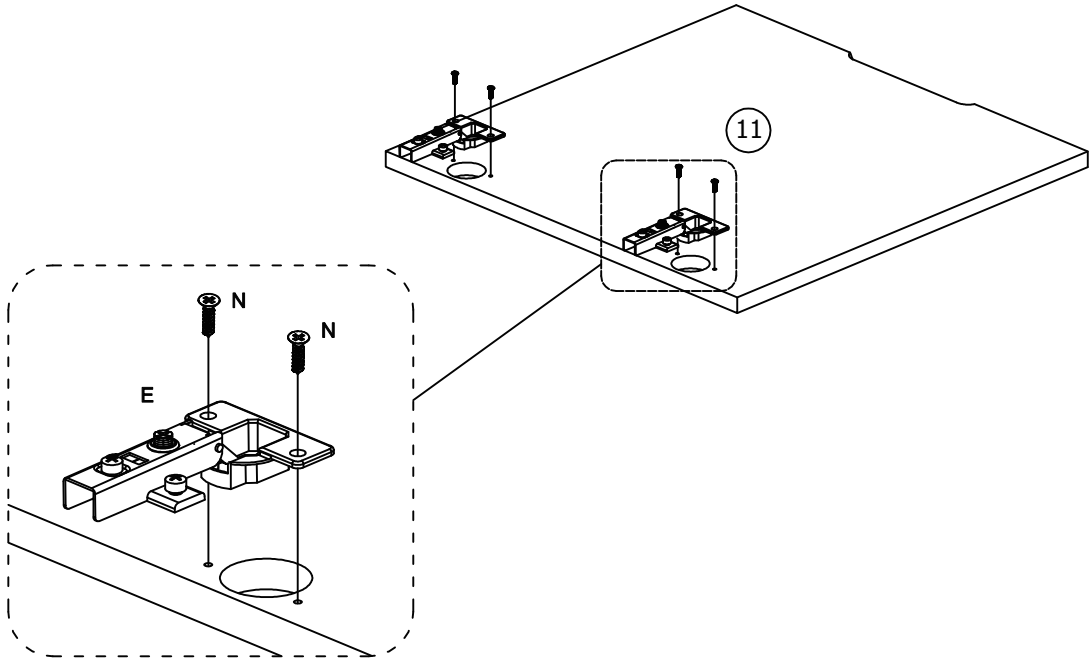


22



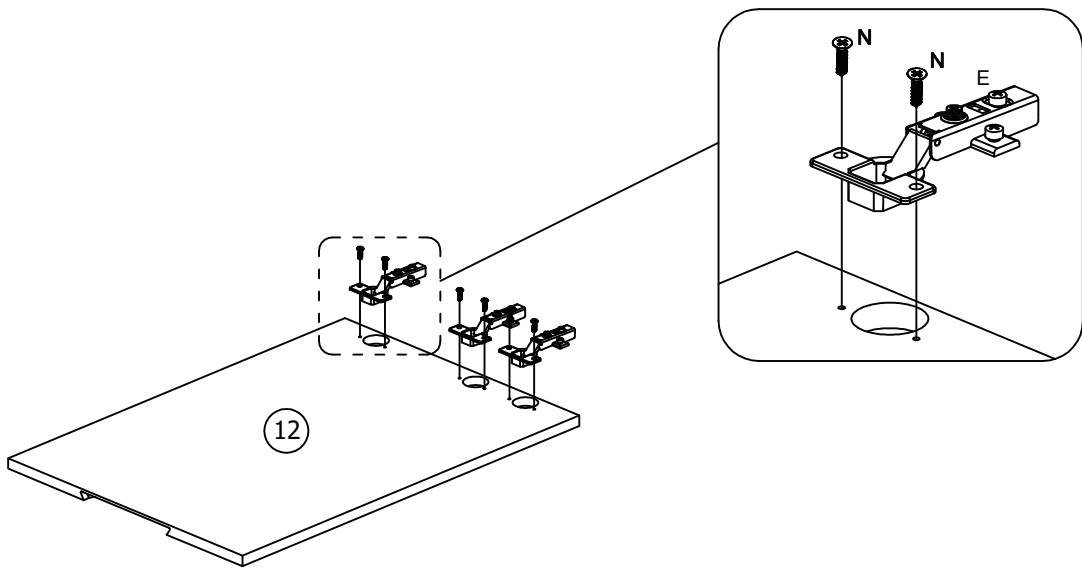
23

E x 2  Ø35 mm	N x 4  Ø3.5x16 mm	 +
--	--	---

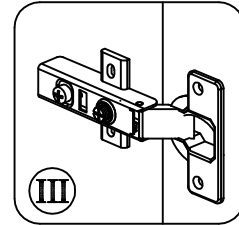
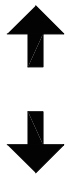
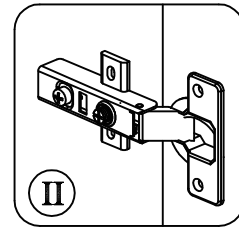
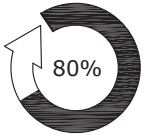
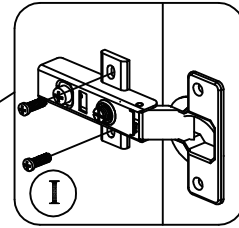
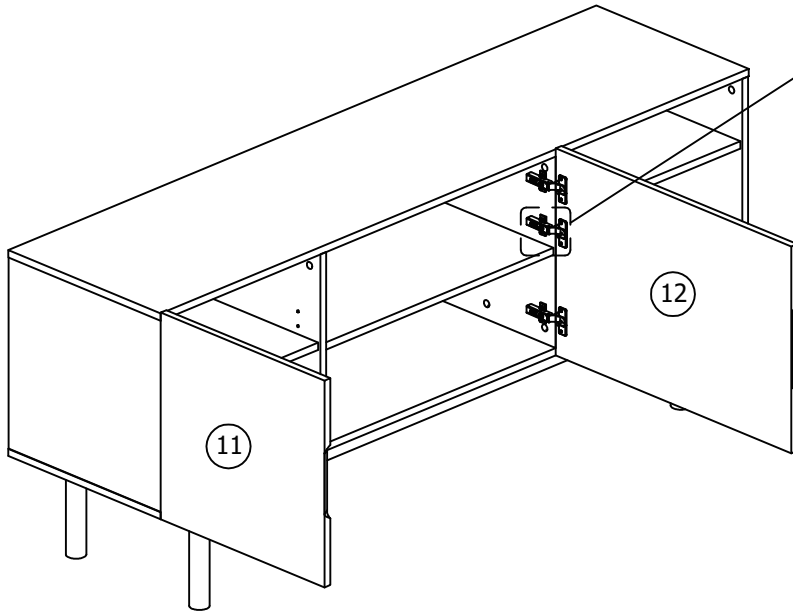
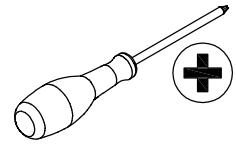


24

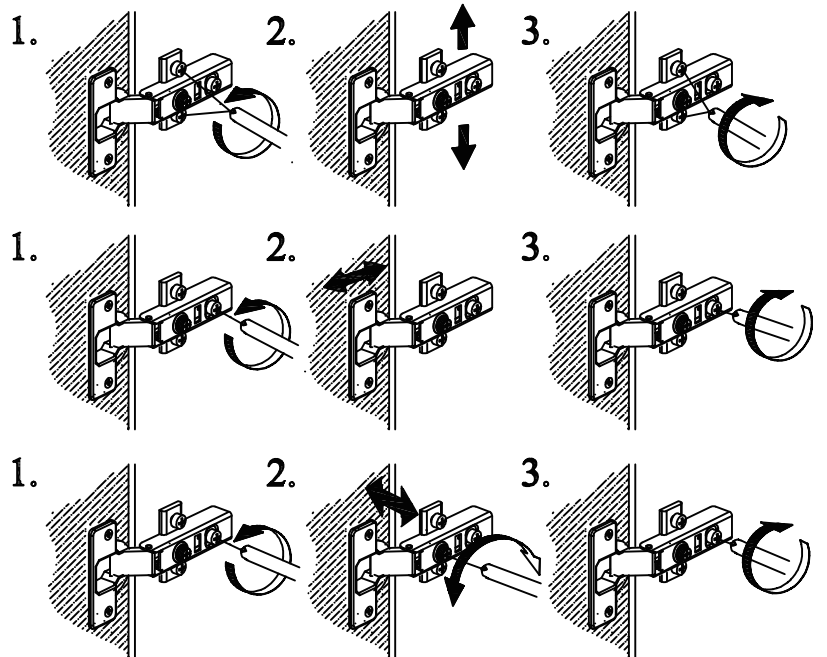
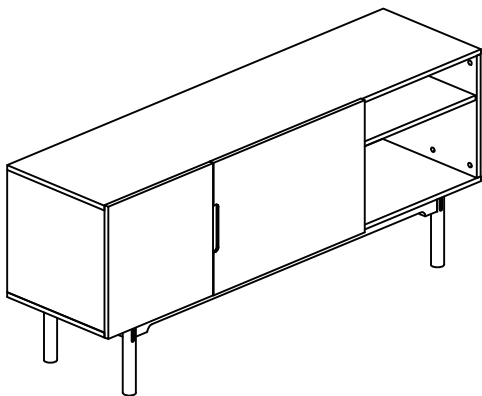
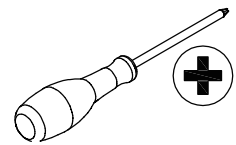
E x 3  Ø35 mm	N x 6  Ø3.5x16 mm	 +
--	--	---



25



26



27

