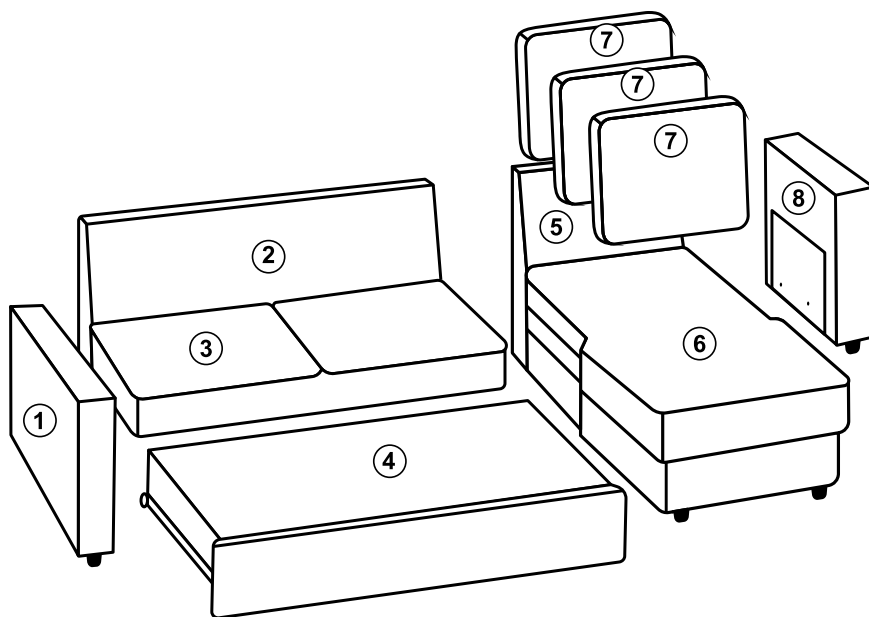
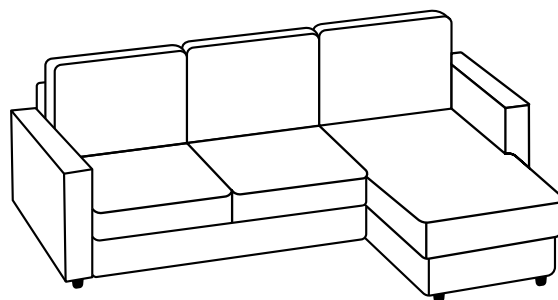
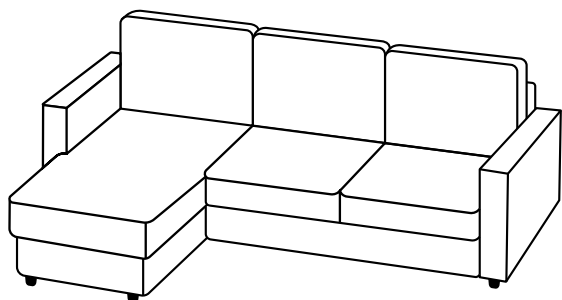
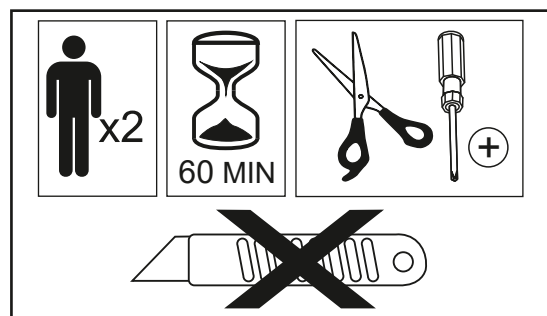



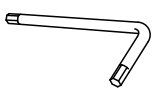

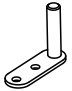







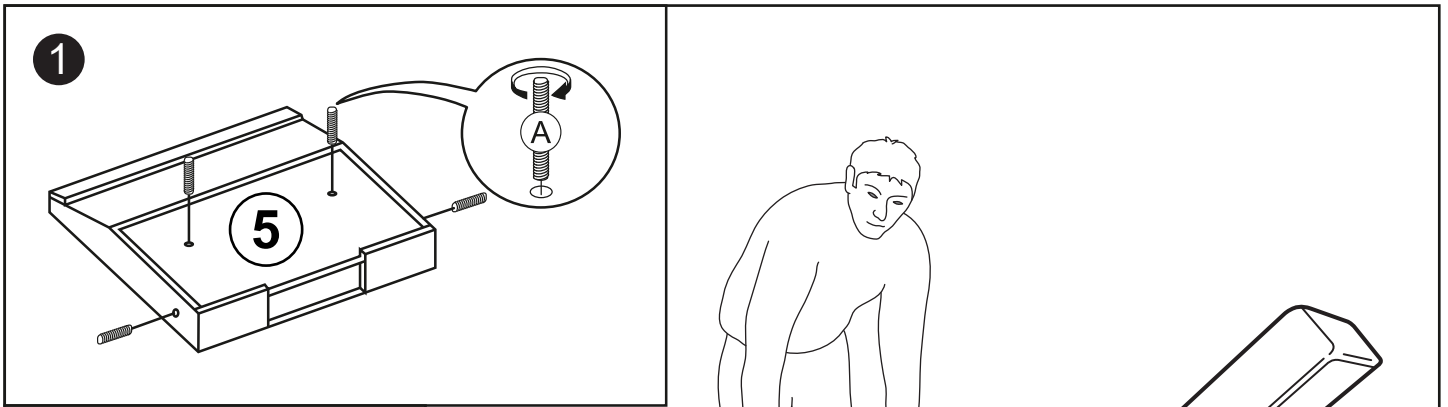



# Dora

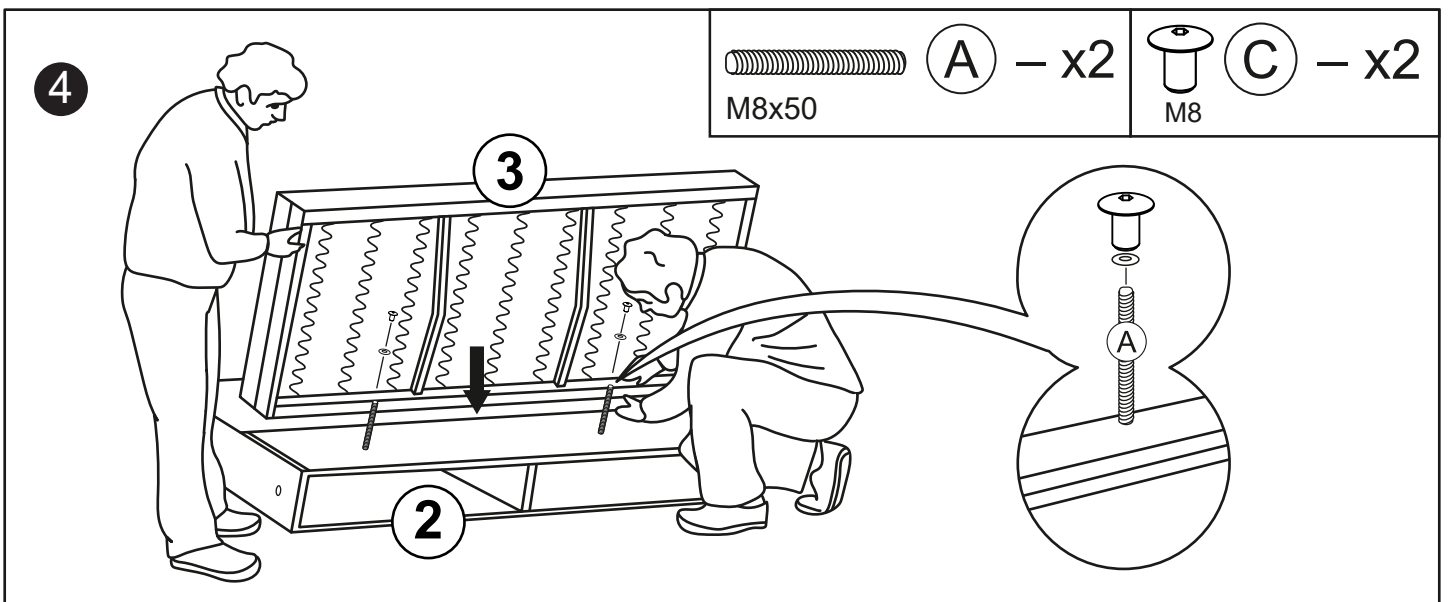
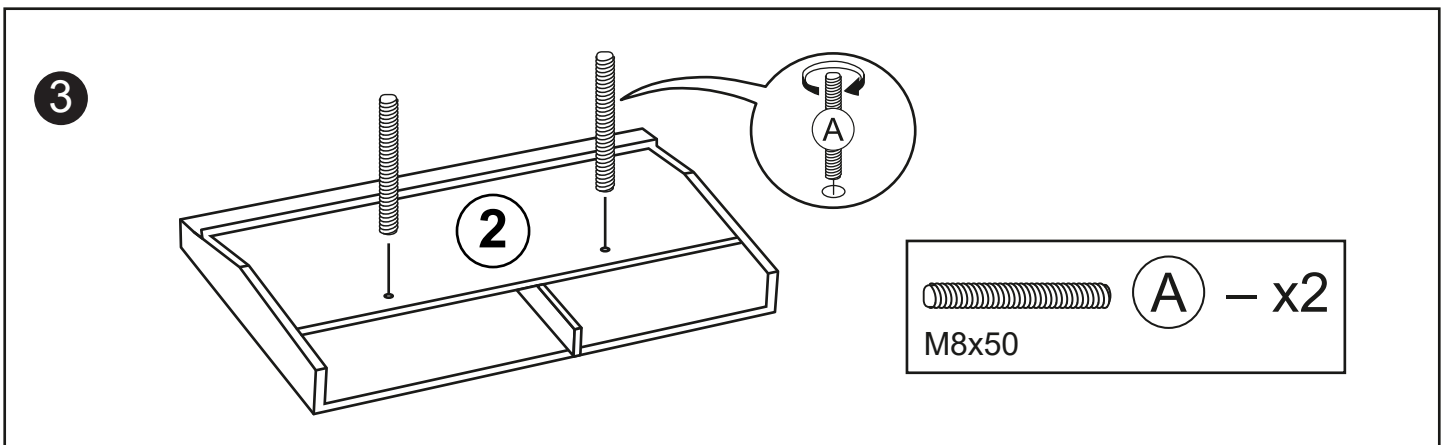
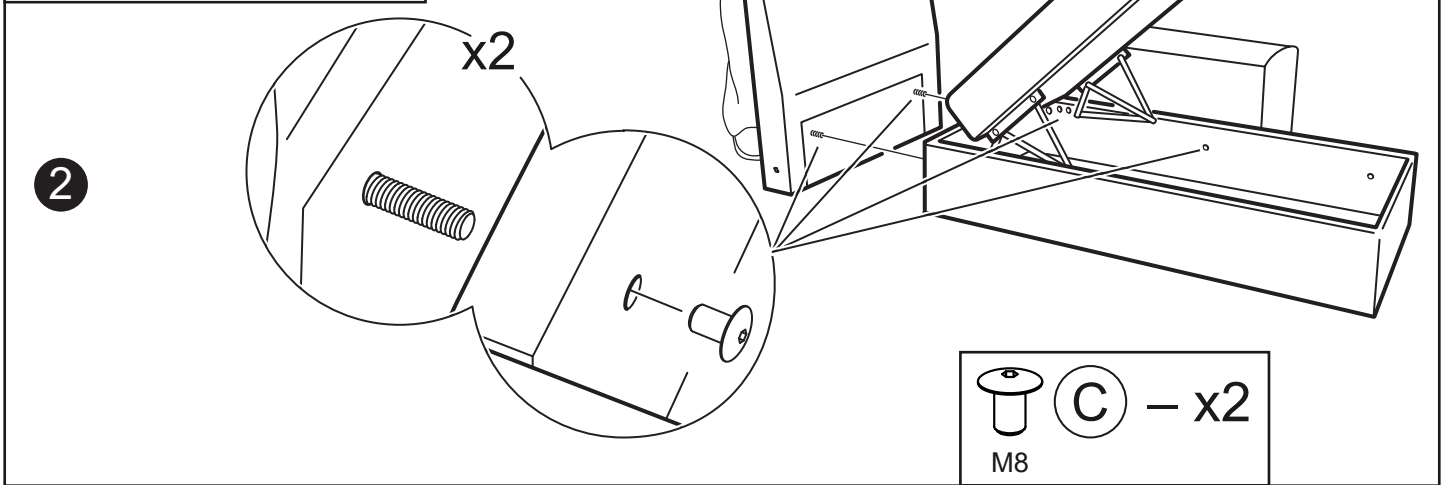
## Assembling Instruction



A	 Ax10 M8x50	B	 Bx3 M8x25	C	 Cx16 M8	D	 Dx2
E	 Ex8	F	 Fx2	G	 Gx2	H	 Hx4
I	 I x16 4x20	J	 Jx8 5x40	K	 Kx8 Felt	L	 Lx12 3,5x20
M	 x1 8x30						



 **A** - x2  
M8x50

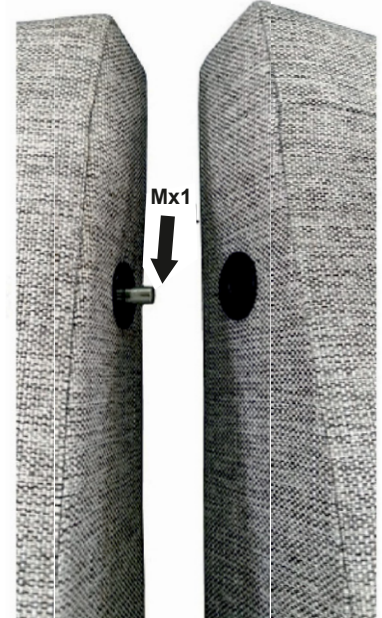
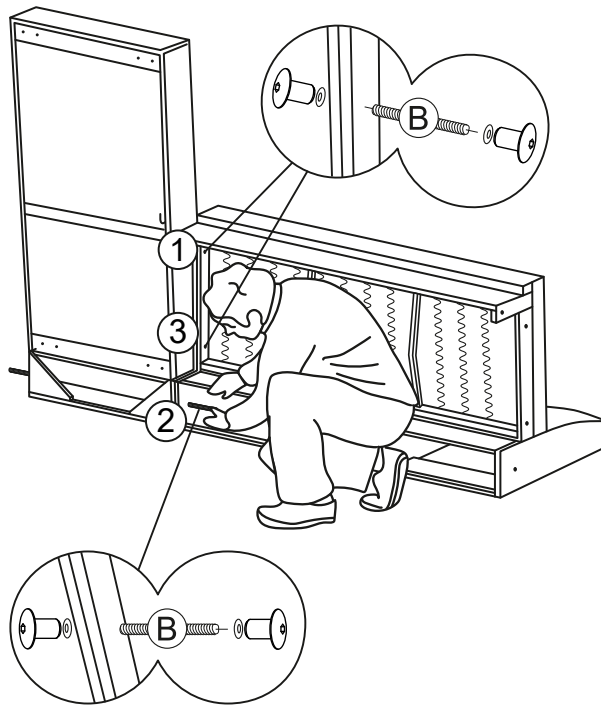


5

M8x25 **B** - x3

M8 **C** - x6

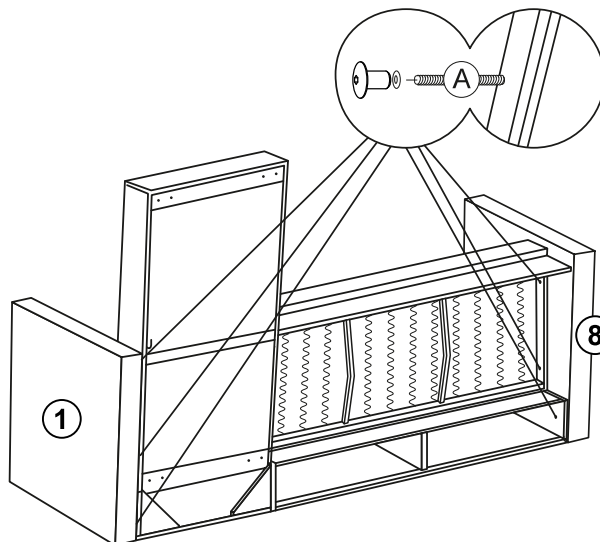
8x30 **M** - x1



6

M8x50 **A** - x6

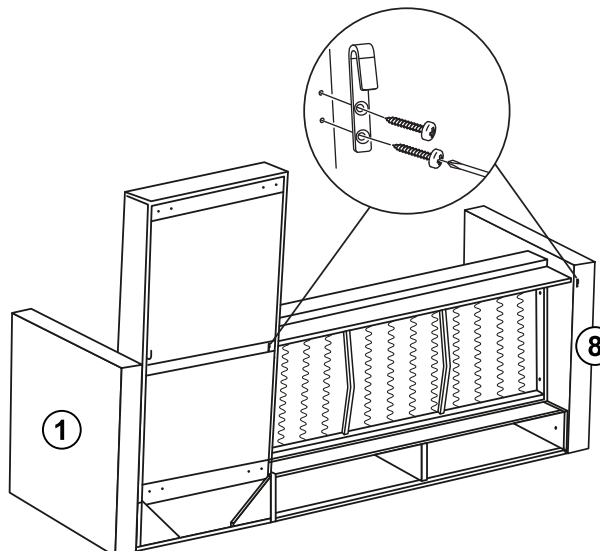
M8 **C** - x6



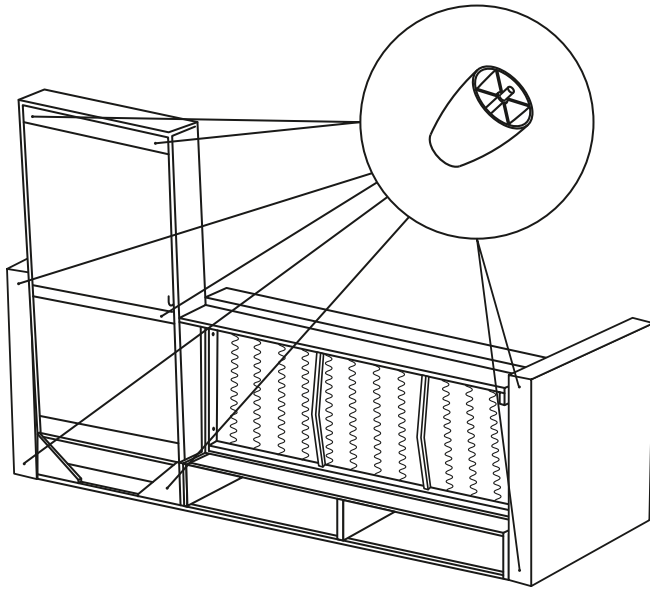
7



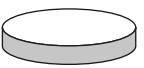
**G** - x2

M4x20 **I** - x4

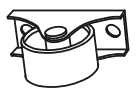


8

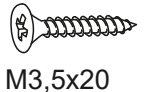


 M5x40	<b>J</b> – x8
	<b>E</b> – x8
	<b>K</b> – x8

9

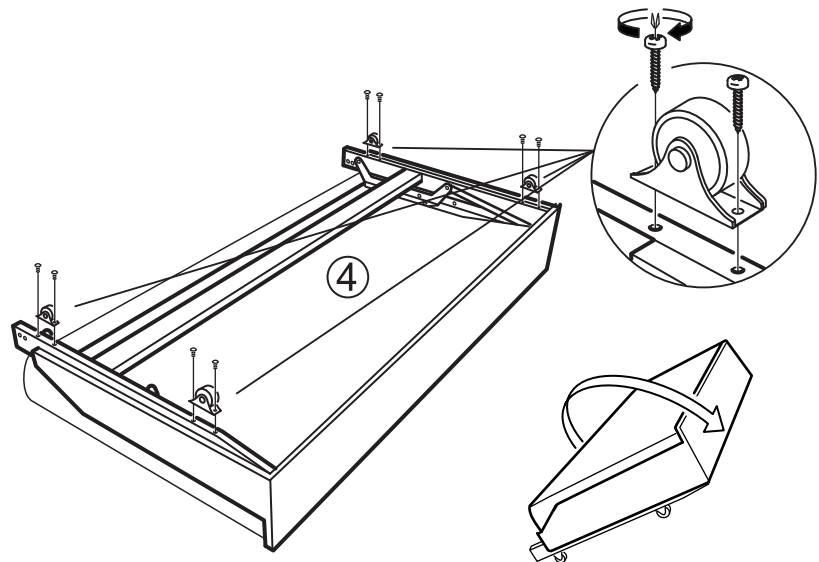


**H** – x4

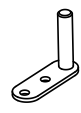


M3,5x20

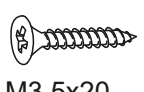
**L** – x8



10

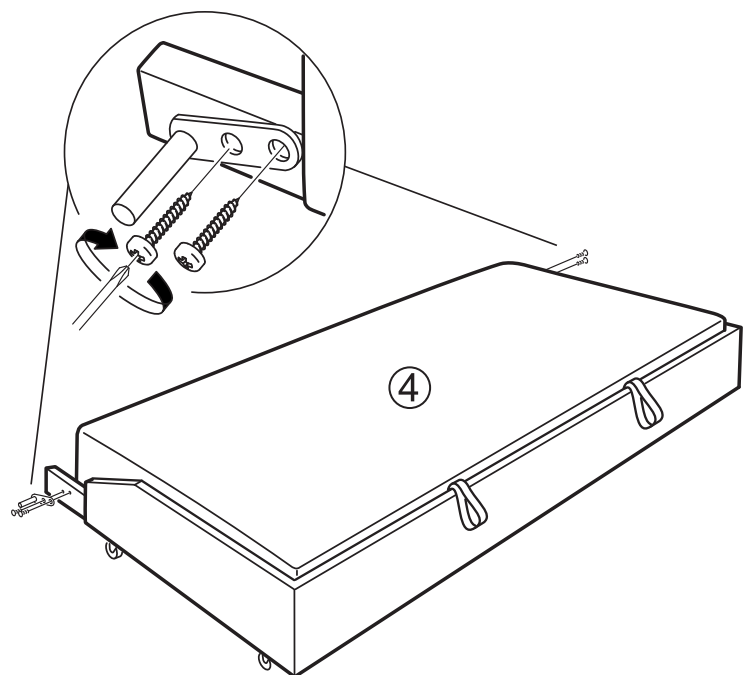


**F** – x2



M3,5x20

**L** – x4



11

