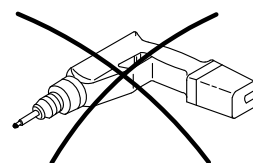
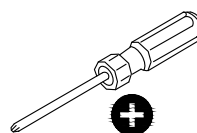
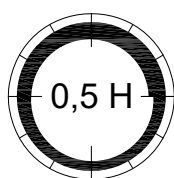
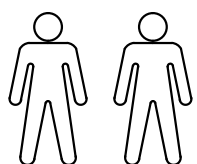
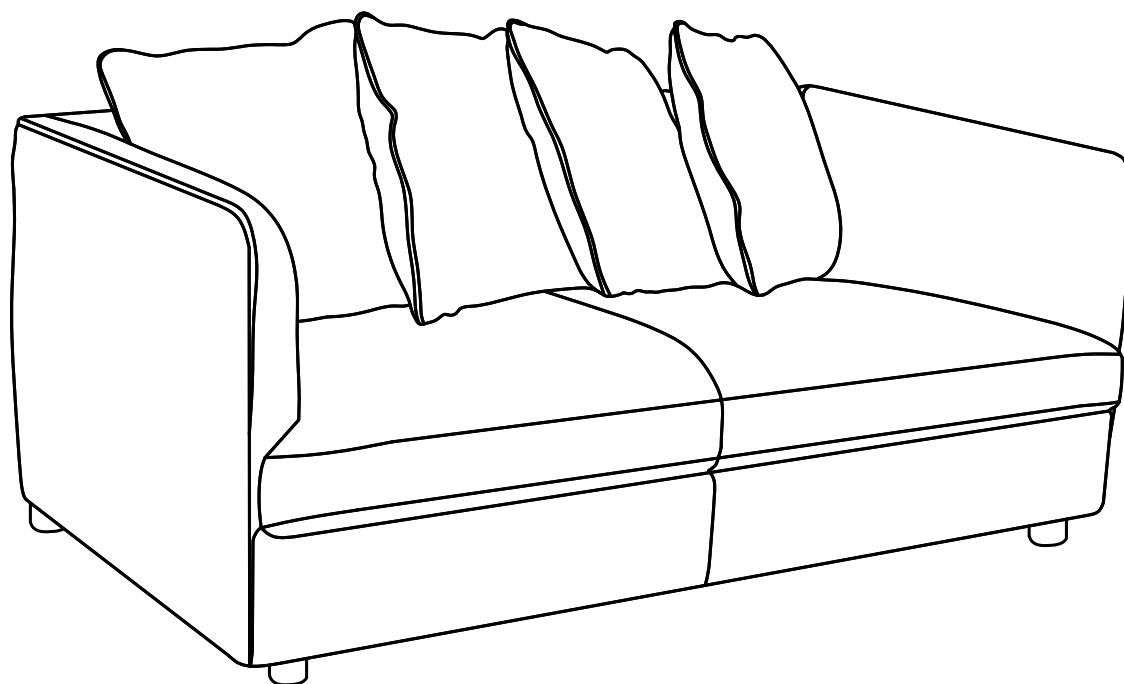
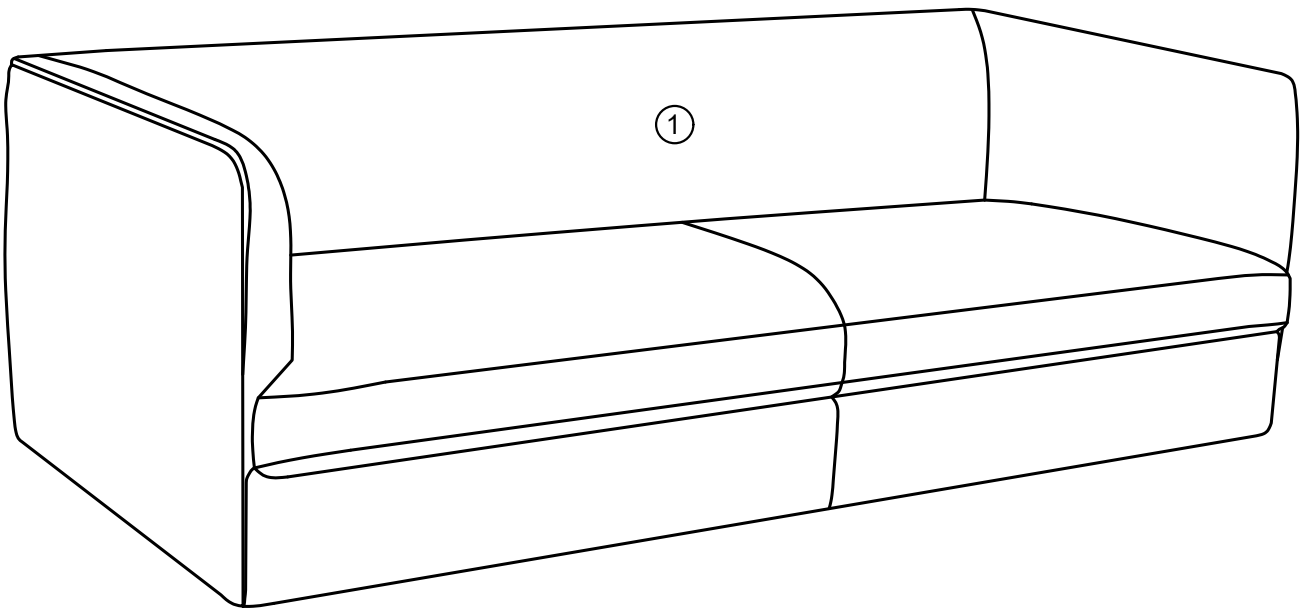
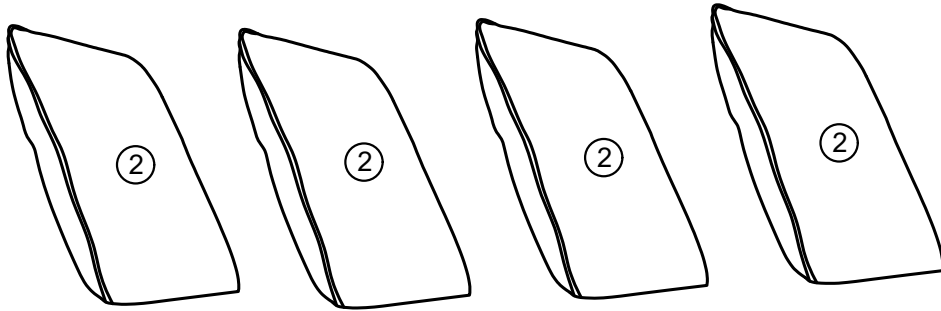





CLAYTON

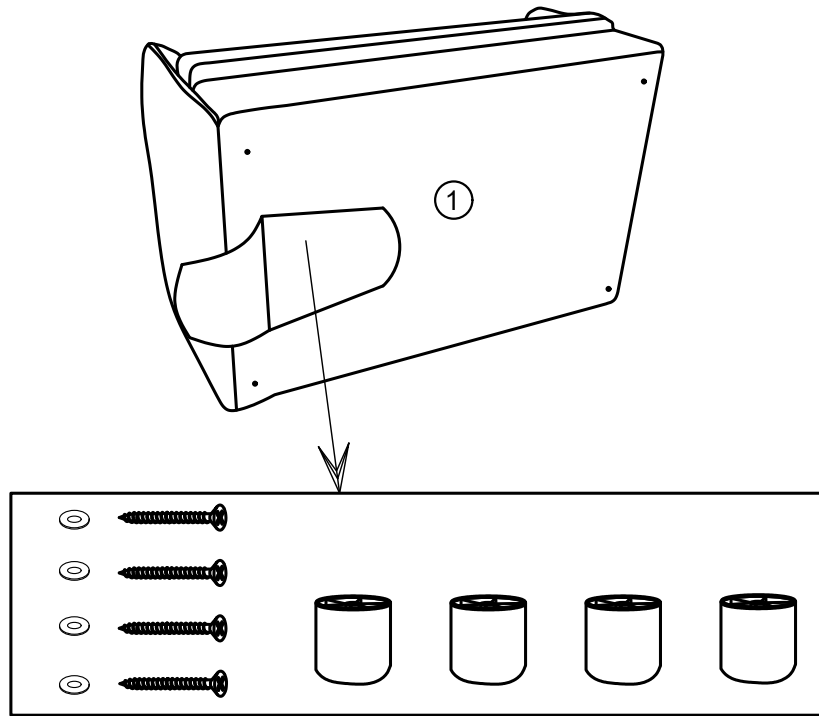


			✓
①	1	1730 × 955 × 640mm	
②	4	500 × 500 × 175mm	

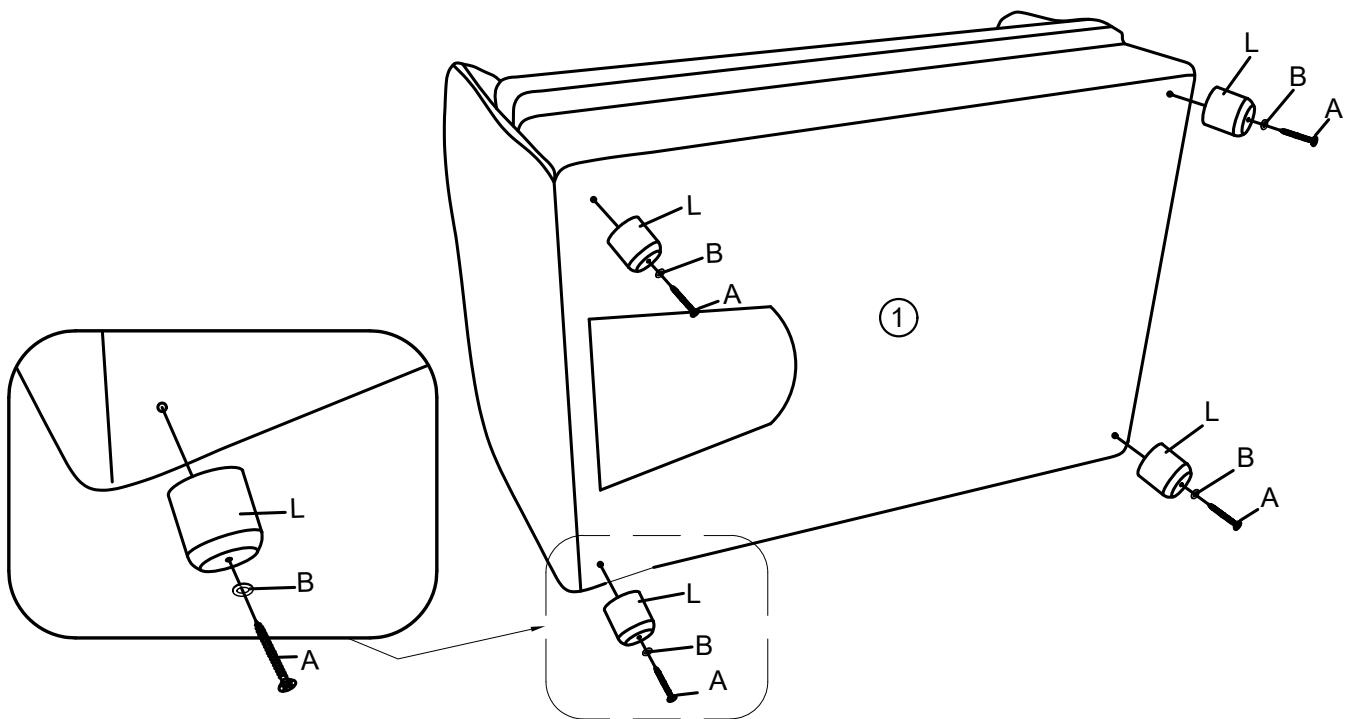
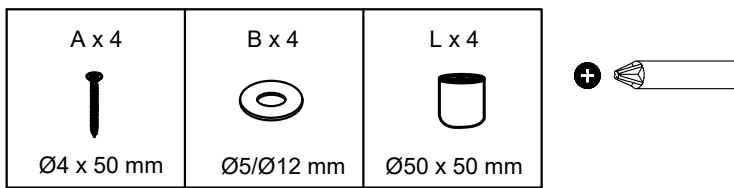


A x 4	B x 4	L x 4
		
Ø4 x 50 mm	Ø5/Ø12 mm	Ø50 x 50mm

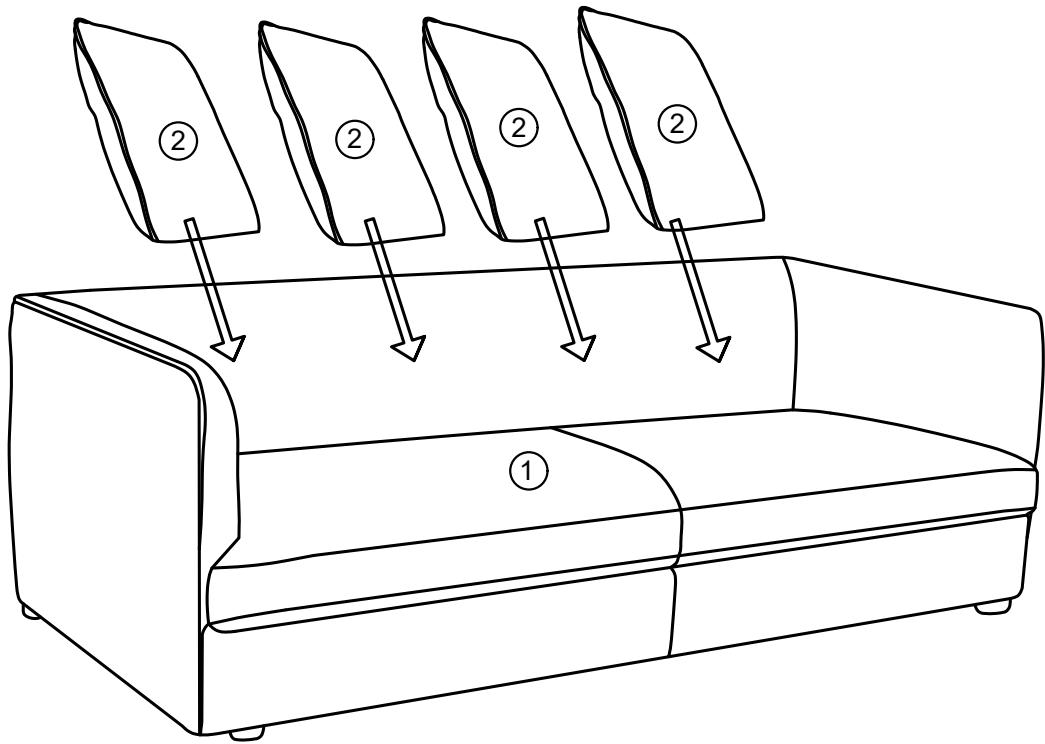
1



2



3



4

